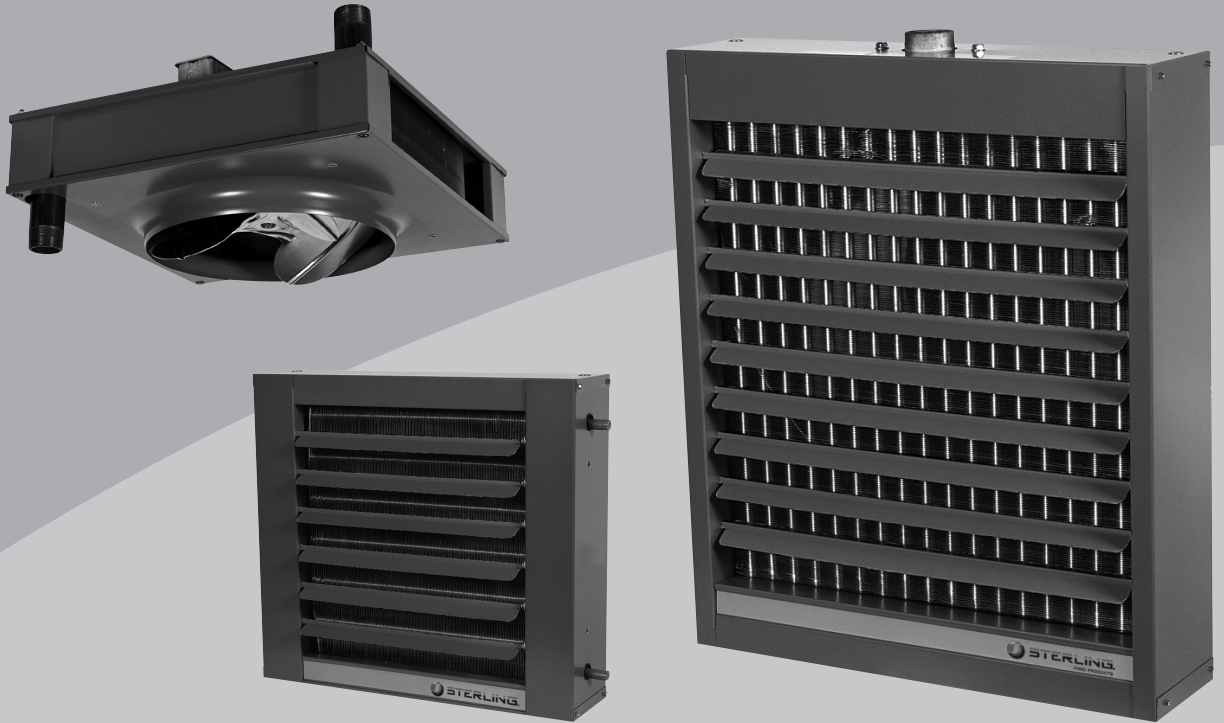


# HYDRONIC HEATING EQUIPMENT

Application Manual



HORIZONTAL AND VERTICAL  
STEAM/HOT WATER  
UNIT HEATERS

 **STERLING**<sup>®</sup>  
HVAC PRODUCTS



# Contents

	PAGE
<b>APPLICATION OF UNIT HEATERS</b>	<b>2</b>
<b>HORIZONTAL UNIT HEATERS</b>	<b>3</b>
Steam Performance Data	<b>4</b>
Steam Calculation and Correction Factors	<b>5</b>
Hot Water Performance Data	<b>6</b>
Hot Water Calculation and Correction Factors	<b>7</b>
Technical Data	<b>8</b>
Mounting Heights and Throws	<b>9</b>
Dimensional Data	<b>10</b>
Standard Specifications	<b>11</b>
<b>SERPENTINE COIL DIMENSIONAL DATA</b>	<b>12</b>
Serpentine Specification	<b>12</b>
<b>MOTOR CHARACTERISTICS - HORIZONTAL MODELS</b>	<b>13</b>
<b>VERTICAL UNIT HEATERS</b>	<b>14</b>
Steam Performance Data	<b>15-16</b>
Steam Calculations and Correction Factors	<b>17</b>
Hot Water Performance Data – Standard Output	<b>18-19</b>
Hot Water Performance Data – Low Output	<b>20-21</b>
Hot Water Calculations and Correction Factors	<b>22</b>
Dimensional Data	<b>23</b>
Mounting Heights and Throws	<b>24</b>
Motor Characteristics	<b>25</b>
<b>PIPING AND INSTALLATION</b>	<b>26</b>
<b>HORIZONTAL AND VERTICAL MODELS</b>	
<b>WIRING DIAGRAMS</b>	
<b>HORIZONTAL AND VERTICAL MODELS</b>	<b>27</b>
<b>WARRANTIES AND TERMS OF SALE</b>	<b>27</b>
<b>MODEL NUMBER DESCRIPTION</b>	<b>28</b>

## Application of Unit Heaters

The proper choice and placement of a unit heater with regard to building type (architecturally) and application (area use) are two criteria, the importance of which cannot be overemphasized.

The first step in the design of a job is typically to determine the heat loss before considering CFM, final air temperature and quantity and location of units. ASHRAE and others publish the basic methodology used in calculating the building or area's heat loss.

Two requirements which not only affect the heat loss calculation but every other step of the job as well, are a detailed knowledge of the building's construction and its planned usage. The number of people, types of equipment and daily activities therein should be a strong guiding factor in the overall design.

Horizontal steam/hot water unit heaters are available in a range of outputs and airflows allowing almost unlimited flexibility in job design.

The following points offer some basic guidelines and suggestions which will be helpful in designing any job using horizontal steam/hot water unit heaters:

- Always direct airflow to areas of greatest heat loss.
- Adjust throw length with horizontal louvers.
- Use horizontal and vertical louvers for complete directional control of airflow.
- Mount units at the lowest practical and allowable level.
- Select lower CFM models for lower mounting heights and heavily occupied areas.
- The higher a unit must be located, the more CFM is required to get the heat down to the occupied zone.
- More, smaller units will provide better heat distribution than fewer larger ones.
- Watch final air temperatures on units mounted at lower levels or in heavily occupied areas to insure that air is warm enough to avoid drafts being felt.
- On motors with variable speed control use lower CFM rating for design base.
- Watch sound ratings.

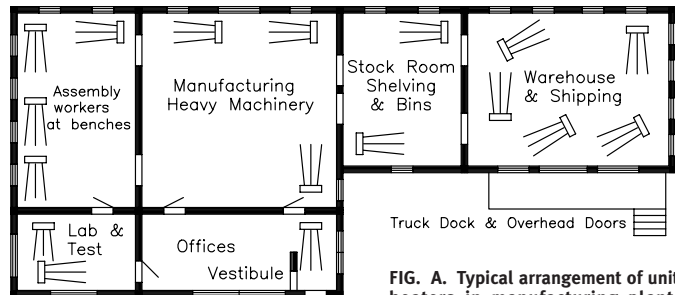
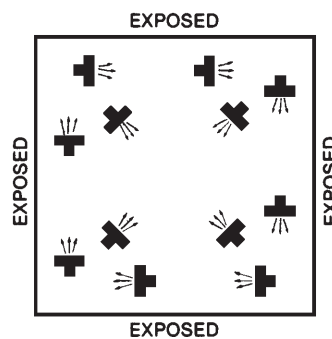
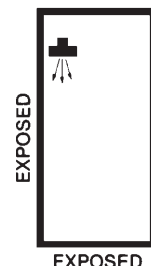


FIG. A. Typical arrangement of unit heaters in manufacturing plant, showing air flow patterns. Not to scale.



A large square area with exposed walls and roof; units are blanketing all exposed surfaces.

A narrow area with two exposed walls either with or without roof exposure.



A small area with exposed walls requiring one unit.

# Horizontal Unit Heaters Construction and Features

## MOTORS

115 volt, single speed motors are standard. Most sizes can be supplied with single phase, explosion proof motors. For standard motors in 230 volt or three-phase configuration, and three-phase explosion-proof motors, see page 13 for availability.

## FAN GUARDS

All sizes with standard (non-explosion-proof) single phase 115 or 230 volt motors utilize a wire fan guard as a motor mount. OSHA type fan guards are standard on all serpentine coil models and header type sizes 18 through 48 equipped with single phase, standard motors only. On header type sizes 60 through 360, OSHA type fan guards can be added as an optional accessory when equipped with a single phase, standard motor only. Horizontal unit heaters with OSHA fan guards can be installed in residential applications. All sizes with three-phase or explosion-proof motors are shelf-mounted and standard fan guards can be added as an optional accessory.

## HORIZONTAL AND VERTICAL LOUVERS

Horizontal louvers are standard on all sizes. Vertical louvers are an optional accessory on all sizes. Vertical louvers are installed on built to order units or shipped loose for field installation.

## THERMOSTATS

Three, line voltage wall thermostats are in stock for immediate shipment. All sizes operate in a 45 to 85°F (7 to 28°C) range. Standard duty model with “off-auto” and heavy duty models with “auto-off-fan” switching are available. Other models available on request. Plastic tamperproof one size fits all thermostat guards are also available.

## STRAP-ON WATER CONTROL

A SPDT strap-on type hot water control with 100° to 240°F (38 to 116°C) rated at 10 amps at 120 volt is also available. Control can be used for direct or reverse acting applications as a high or low limit.

## STEAM PRESSURE CONTROL

SPST switch opens on a rise in pressure. Control is automatically reset, has a range of 0 to 15 PSIG (0 to 103 KPa) and has an adjustable differential. **Other actions, ranges, circuits and manual reset models are available on request.**

Figure 1

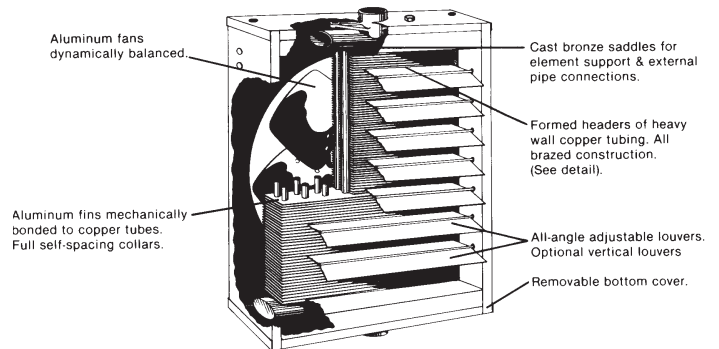
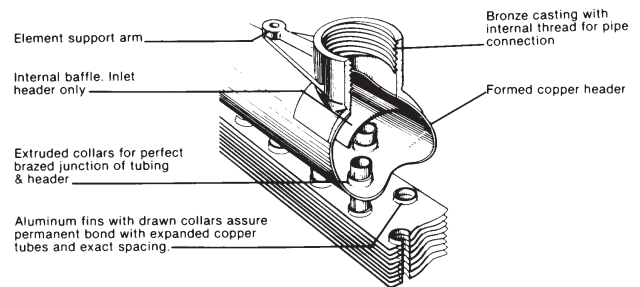


Figure 2



## MANUAL STARTERS

Single and three-phase models are available. Standard models are single-speed, toggle-operated, NEMA Type 1 and are surface-mounted. **Note: While these manual starters can be used with explosion-proof motors, they do not meet requirements for use in explosion-proof applications.**

## WALL MOUNTED SPEED CONTROLLERS

Horizontal units up to size 108 and vertical units up to size 104 with standard motors (115 volt) can be operated at reduced speeds by addition of optional speed controller. Controller is 5 amps, pre-set at factory for maximum and minimum speeds, with intermediate speeds infinitely controllable.

All 1/3, 1/2 HP and 230 volt motors operate only at rated speed and CFM – See performance data charts.

# Horizontal Unit Heaters

## Steam Performance Data — Table 1

Performance based on 2 Lbs steam pressure at heater with air entering @ 60°F.  
Maximum Working Pressure 150 PSI, 366°F\*\*

Model/ Unit Size	Output BTU Per Hour*	Condensate Lbs Per Hour	Square Foot EDR	Final Air Temp	Motor HP †	Motor RPM	Nominal CFM	Outlet FPM	Nominal Amps at 115VAC†	Nominal Fan Diameter
HS-18	18,000	18.0	75	102°F	16 WATT	1550	395	395	.80	9"
	16,200	16.2	68	105°F		1350	330	330	.80	9"
HS-24	24,000	24.5	100	109°F	16 WATT	1550	450	450	.80	10"
	21,600	22.0	90	112°F		1350	380	380	.80	10"
HS-36	36,000	37.0	150	119°F	25 WATT	1550	550	550	1.2	10"
	32,400	33.0	135	120°F		1350	480	480	1.2	10"
HS-48	48,000	49.0	200	119°F	1/20	1000	750	550	1.4	12"
	43,200	44.0	180	123°F		900	630	460	1.4	12"
HS-60	60,000	61.0	250	121°F	1/20	1000	900	650	1.4	12"
	54,000	55.0	225	131°F		900	700	510	1.4	12"
HS-72	72,000	73.0	300	120°F	1/20	1000	1100	800	1.4	14"
	64,800	66.0	270	123°F		900	950	700	1.4	14"
HS-84	84,000	85.0	350	115°F	1/12	1000	1400	900	2.2	14"
	75,600	76.0	315	123°F		900	1100	750	2.2	14"
HS-96	96,000	97.0	400	123°F	1/12	1000	1400	930	2.2	16"
	86,400	88.0	360	132°F		900	1100	800	2.2	16"
HS-108	108,000	110.0	450	115°F	1/12	1000	1800	1000	2.2	16"
	97,200	98.0	405	120°F		900	1500	900	2.2	16"
HS-120	120,000	122.0	500	118°F	1/3	1140	1900	900	4.5	18"
	—	—	—	—		—	—	—	—	—
HS-132	132,000	134.0	550	121°F	1/3	1140	2000	950	4.5	18"
	—	—	—	—		—	—	—	—	—
HS-144	144,000	146.0	600	120°F	1/3	1140	2200	1000	4.5	18"
	—	—	—	—		—	—	—	—	—
HS-156	156,000	160.0	650	115°F	1/3	1140	2600	1150	4.5	18"
	—	—	—	—		—	—	—	—	—
HS-180	180,000	190.0	770	135°F	1/3	1140	2200	800	4.5	18"
	—	—	—	—		—	—	—	—	—
HS-204	204,000	208.0	850	124°F	1/3	1140	2900	1000	4.5	18"
	—	—	—	—		—	—	—	—	—
HS-240	240,000	244.0	1000	123°F	1/3	1140	3500	900	4.5	20"
	—	—	—	—		—	—	—	—	—
HS-280	280,000	280.0	1100	121°F	1/2	1100	4200	980	5.4	20"
	—	—	—	—		—	—	—	—	—
HS-300	300,000	310.0	1250	117°F	1/2	1100	5000	700	5.4	24"
	—	—	—	—		—	—	—	—	—
HS-360	360,000	366.0	1500	120°F	1/2	1100	5500	1000	5.4	24"
	—	—	—	—		—	—	—	—	—

\* For the lower output, an optional Speed Controller must be ordered.

For Sound Ratings See Pages 6 & 8.

\*\* For further information see page 11, COIL SIZES.

† Stated AMP is full load amps (FLA). AMP draw varies by motor manufacturer ± .2 AMPS. See page 13 for motor data.

‡ Motor HP listed is applicable to standard motor type only. For explosion proof motor HP, see unit installation manual.

# Horizontal Unit Heaters Steam Calculations and Correction Factors

**EXAMPLE: –**  
 UNIT SIZE: \_\_\_\_\_ 24  
 Steam Pressure \_\_\_\_ 10 PSI  
 Entering Air Temp. \_\_\_\_ 40°F

<b>I. CAPACITY</b> A. For 2 LBS steam, 60°F entering air	Read output directly from Table 1, 24,000 BTU/HR (Ref., Std. Unit Size 24)	
B. For higher steam pressures and/or EAT's above or below 60°F	Multiply output from Table 1 by appropriate correction factor from Table 2 (below)	24,000 x 1.29 = 30,960 BTU/HR
<b>II. FINAL AIR TEMPERATURE</b> A. For 2 LBS steam, 60°F entering air	Read temperature directly from Table 1, 109°F (Ref., Std. Unit Size 24)	
B. For capacities calculated in IB (above)	$\frac{\text{Output from IB}}{1.085 \times \text{CFM from Table 1}} + \text{EAT} = \text{Final Air Temperature}$	$\frac{30,960}{1.085 \times 450} + 40 = 103.4^\circ\text{F}$
<b>III. FINAL AIR VOLUME</b> A. For 2 LBS steam, 60°F entering air	$\frac{460 + \text{Final Air Temp from Table 1}}{530} \times \begin{matrix} \text{Nom. CFM} \\ \text{from} \\ \text{Table 1} \end{matrix} = \begin{matrix} \text{Final} \\ \text{Air} \\ \text{Volume} \end{matrix}$	$\frac{460 + 109}{530} \times 450 = 483 \text{ CFM}$
B. For final air temperatures calculated in IIB (above)	$\frac{460 + \text{Final Air Temp from IIB}}{530} \times \begin{matrix} \text{Nom. CFM} \\ \text{from} \\ \text{Table 1} \end{matrix} = \begin{matrix} \text{Final} \\ \text{Air} \\ \text{Volume} \end{matrix}$	$\frac{460 + 103.4}{530} \times 450 = 478 \text{ CFM}$
<b>IV. CONDENSATE PER HOUR</b> A. For 2 LBS steam, 60°F entering air	Read LBS per hour from Table 1, 24.5 LBS/HR (Ref., Std. Unit Size 24)	
B. For capacities calculated in IB (above)	$\frac{\text{Output from IB}}{\text{Latent Heat From Table 3}} = \text{LBS per hour of condensate}$	$\frac{30,960}{953} = 32.5 \text{ LBS/HR}$

**Table 2 — STEAM CORRECTION FACTORS BASED ON 2 LBS STEAM 60°F EAT**

ENTERING AIR TEMPERATURE	STEAM PRESSURE — LBS PER SQUARE INCH (SATURATED)												
	0	2	5	10	15	20	30	40	50	75	100	125	150
30°F	1.19	1.24	1.29	1.38	1.44	1.50	1.60	1.68	1.70	1.90	2.02	2.11	2.20
40°F	1.11	1.16	1.21	1.29	1.34	1.42	1.51	1.60	1.60	1.81	1.93	2.02	2.11
50°F	1.03	1.08	1.13	1.21	1.28	1.33	1.43	1.51	1.58	1.72	1.84	1.93	2.02
60°F	0.96	1.00	1.05	1.13	1.19	1.25	1.35	1.43	1.50	1.64	1.75	1.84	1.93
70°F	0.88	0.93	0.97	1.06	1.12	1.17	1.27	1.35	1.42	1.55	1.66	1.76	1.84
80°F	0.81	0.85	0.90	0.98	1.04	1.10	1.19	1.27	1.34	1.47	1.58	1.68	1.76
90°F	0.74	0.78	0.83	0.91	0.97	1.02	1.12	1.19	1.26	1.39	1.50	1.59	1.67
100°F	0.67	0.71	0.76	0.84	0.89	0.95	1.04	1.12	1.19	1.32	1.42	1.51	1.59

**Table 3 — PROPERTIES OF SATURATED STEAM**

	STEAM PRESSURE IN LBS PER SQUARE INCH GAUGE												
	0	2	5	10	15	20	30	40	50	75	100	125	150
Steam Temperature-°F	212.0	218.5	227.1	239.4	249.8	258.8	274.0	286.7	297.7	319.9	337.9	352.9	365.9
Latent Heat of Steam	970	966	961	953	946	940	929	920	912	891	881	868	857

# Horizontal Unit Heaters

## Hot Water Performance Data — Table 4

Performance based on 200°F EWT, 60°F EAT, 20°F TD

Model/ Unit Size	Output BTU Per Hour*	GPM	Final Air Temp	Pressure Drop FT/H <sub>2</sub> O	Motor HP †	Motor RPM	Nominal CFM	Outlet FPM	Nominal Amps at 115VAC**	Sound Rating
HS-108A	8,030	.80	91°F	.80	16 Watt	1550	245	250	.80	II
	6,800		90°F			1350	210	215	.80	I
HS-118A	18,400	1.9	94°F	2.2	16 Watt	1550	500	500	.80	II
	15,650		96°F			1350	420	420	.80	I
HS-125A	24,800	2.5	102°F	2.2	25 Watt	1550	580	590	1.2	II
	21,230		106°F			1350	460	450	1.2	I
HS-136A	35,900	3.6	99°F	3.0	1/20	1000	850	550	1.4	II
	32,300		100°F			900	750	480	1.4	I
HS-18	13,050	1.3	95°F	.005	16 Watt	1550	395	395	.80	II
	11,725		99°F			1350	350	350	.80	I
HS-24	17,400	1.8	96°F	.014	16 Watt	1550	450	450	.80	II
	15,600		98°F			1350	380	380	.80	I
HS-36	26,100	2.7	103°F	.09	25 Watt	1550	550	550	1.2	II
	23,500		103°F			1350	480	480	1.2	I
HS-48	34,800	3.5	103°F	.12	1/20	1000	750	550	1.4	II
	31,300		111°F			900	630	460	1.4	I
HS-60	43,600	4.4	105°F	.17	1/20	1000	900	650	1.4	II
	39,200		112°F			900	700	510	1.4	I
HS-72	52,300	5.3	104°F	.23	1/20	1000	1100	800	1.4	II
	47,000		106°F			900	950	700	1.4	I
HS-84	61,000	6.1	100°F	.24	1/12	1000	1400	900	2.2	III
	54,900		106°F			900	1100	750	2.2	II
HS-96	69,700	7.0	106°F	.29	1/12	1000	1400	930	2.2	III
	62,700		113°F			900	1100	800	2.2	II
HS-108	78,400	7.9	100°F	.36	1/12	1000	1800	1000	2.2	III
	70,500		103°F			900	1500	900	2.2	II
HS-120	87,100	8.8	102°F	.39	1/3	1140	1900	900	4.5	III
	—		—			—	—	—	—	—
HS-132	95,800	9.6	104°F	.41	1/3	1140	2000	950	4.5	IV
	—		—			—	—	—	—	—
HS-144	104,000	10.4	104°F	.43	1/3	1140	2200	1000	4.5	IV
	—		—			—	—	—	—	—
HS-156	113,000	11.3	100°F	.53	1/3	1140	2600	1150	4.5	IV
	—		—			—	—	—	—	—
HS-180	118,000	11.8	110°F	.60	1/3	1140	2200	800	4.5	III
	—		—			—	—	—	—	—
HS-204	148,100	14.9	107°F	.79	1/3	1140	2900	1000	4.5	IV
	—		—			—	—	—	—	—
HS-240	174,000	17.4	106°F	1.06	1/3	1140	3500	900	4.5	IV
	—		—			—	—	—	—	—
HS-280	209,100	21.0	106°F	1.33	1/2	1100	4200	980	5.4	IV
	—		—			—	—	—	—	—
HS-300	230,000	23.0	102°F	2.1	1/2	1100	5000	700	5.4	IV
	—		—			—	—	—	—	—
HS-360	261,300	26.2	103°F	2.1	1/2	1100	5500	1000	5.4	IV
	—		—			—	—	—	—	—

\*For the lower output, an optional Speed Controller must be ordered.

For Fan Diameter See Page 4.

\*\*Stated AMP is full load amps (FLA). AMP draw varies by motor manufacturer ± .2 AMPS. See page 13 for motor data.

† Motor HP listed is applicable to standard motor type only. For explosion proof motor HP, see unit installation manual.

# Horizontal Unit Heaters Hot Water Calculations and Correction Factors

**EXAMPLE: –**

UNIT SIZE: \_\_\_\_\_ 24  
 Entering Water Temperature \_\_\_\_\_ 160°F  
 Entering Air Temperature \_\_\_\_\_ 40°F  
 Water Temperature Drop \_\_\_\_\_ 10°F

<b>I. CAPACITY@20°TD:</b> A. For 200°F EWT, 60°F EAT	Read output directly from Table 4, 17,400 BTU/HR (Ref., Std. Unit Size 24)	
B. For EWT and/or EAT above or below Standard	Multiply output from Table 4 by factor from Table 5 (below)	17,400 x .878 = 15,277 BTU/HR
<b>II. CAPACITY AT OTHER TD's</b> A. For TD's from 5 to 60°F	Multiply output obtained in IA or IB (above) by appropriate factor from Table 6 (below)	IA - 17,400 x 1.15 = 20,010 BTU/HR – OR – IB - 15,277 x 1.15 = 17,569 BTU/HR
<b>III. GPM AT OTHER TD's</b> A. For TD's from 5 to 60°F	Multiply GPM of unit for 20°F TD, from Table 4 by appropriate factor from Table 6 (below)	1.8 x 2.30 = 4.14 GPM (Applies only to units with Std. 200°F EWT, 60°F EAT) For all others calculate using formula – $GPM = \frac{BTU}{500 \times TD}$
<b>IV. CAPACITY AT OTHER RATES OF WATER FLOW</b>	Multiply output from Table 4 by factor from Table 8 (below)	
<b>V. PRESSURE LOSS AT OTHER TD's</b> A. For TD's from 5 to 60°F	Multiply PD of unit for 20°F TD, from Table 4 by appropriate factor from Table 6 (below)	.014 x 5.00 = .07 Ft. H <sub>2</sub> O

**Table 5 – HOT WATER CONVERSION FACTORS BASED ON 200°F ENTERING WATER 60°F ENTERING AIR 20°F TEMPERATURE DROP**

ENTERING AIR TEMPERATURE	ENTERING WATER TEMPERATURE – 20°F WATER TEMPERATURE DROP										
	100°F	120°F	140°F	160°F	180°F	200°F	220°F	240°F	260°F	280°F	300°F
30°F	0.518	0.666	0.814	0.963	1.120	1.268	1.408	1.555	1.702	1.850	1.997
40°F	0.439	0.585	0.731	0.878	1.025	1.172	1.317	1.464	1.609	1.755	1.908
50°F	0.361	0.506	0.651	0.796	0.941	1.085	1.231	1.375	1.518	1.663	1.824
60°F	0.286	0.429	0.571	0.715	0.857	1.000	1.143	1.286	1.429	1.571	1.717
70°F	0.212	0.353	0.494	0.636	0.777	0.918	1.060	1.201	1.342	1.483	1.630
80°F	0.140	0.279	0.419	0.558	0.698	0.837	0.977	1.117	1.257	1.397	1.545
90°F	0.069	0.207	0.345	0.483	0.621	0.759	0.897	1.035	1.173	1.311	1.462
100°F	0	0.137	0.273	0.409	0.546	0.682	0.818	0.955	1.094	1.230	1.371

**Table 6 – HOT WATER BTU, GPM AND PRESSURE LOSS FACTORS BASED ON STANDARD CONDITIONS OF 200°F ENTERING WATER 60°F ENTERING AIR & 20°F WATER DROP**

USE FACTORS FROM THIS TABLE TO OBTAIN APPROXIMATE RESULTS	TEMPERATURE DROP									
	5°F	10°F	15°F	20°F	25°F	30°F	40°F	50°F	60°F	
To obtain BTU for other Water Temperature Drops, multiply basic BTU rating by applicable Factor.	1.25	1.15	1.08	1.00	.94	.90	.83	.76	.72	
To obtain GPM for other Water Temperature Drops, multiply basic GPM rating by applicable Factor.*	5.00	2.30	1.44	1.00	.74	.59	.40	.30	.24	
To obtain Pressure Loss Feet of Water for other temperature Drops, multiply Basic loss at 20°F drop by Factor.	10.00	5.00	2.00	1.00	.60	.40	.20	.13	.07	

**Table 7 – MINIMUM WATER FLOW – GPM**

UNIT SIZE	108A	118A	125A	136A	18	24	36	48	60	72	84	96
MIN. GPM	.125	.125	.125	.125	.75	1.24	1.24	1.49	1.49	1.62	1.86	3.35
UNIT SIZE	108	120	132	144	156	180	204	240	280	300	360	
MIN. GPM	3.35	3.60	4.09	4.09	4.09	4.34	4.34	4.59	4.59	6.08	6.08	

**\*Table 8 – HEATING CAPACITY FACTORS FOR VARIOUS RATES OF WATER FLOW**

% of Rated Water Flow	25%	50%	75%	100%	125%	150%	175%
BTU/HR Heating Capacity	.80	.89	.96	1.00	1.04	1.07	1.10

# Horizontal Unit Heaters Technical Data

The performance data listed on page 6 includes sound ratings. The ratings provide a guide in determining the acceptable degree of loudness in particular occupancy situations.

Certain general rules apply to specific selection of unit heaters with regard to degree of quietness (or loudness);

- The greater the fan diameter, the higher the sound level.
- The higher the motor RPM, the higher the sound level. Note that on most units the lower the speed mode results in lowering the sound rating one increment.
- Selecting a larger number of smaller units generally results in lower overall noise levels than fewer large units.

All horizontal steam and hot water unit heater motors, whether fan guard or shelf-mounted, are isolated from the mechanical mount by resilient isolators. This mounting along with balanced fan blades and excellent overall construction integrity, assures you the utmost in quiet operation.

The following table outlines sound ratings for various applications. The lower the number, the quieter the unit and the lower the sound requirement.

CATEGORY OF AREA	SOUND RATING
Apartment, assembly hall, classrooms churches, courtrooms, executive offices, hospitals, libraries, museums, theatres.	I
Dining rooms, general offices, recreation areas, small retail stores.	II
Restaurants, banks, cafeterias, department stores, public buildings, service stations.	III
Gymnasiums, health clubs, laundromats, supermarkets.	IV
Garages, small machine shops, light manufacturing.	V
Factories, foundries, steel mills.	III - VII*

\*Depending on specific use in these facilities, size of operation, etc.

## CORRECTIONS WHEN USING GLYCOL SOLUTION IN SYSTEM

	Propylene Glycol	Propylene Glycol
1. Heat transfer @180°F with no increase in flow rate	20% solution .97* 50% solution .90*	
2. GPM Req'd. @180°F, 20° Δ t (no correction to pump curve)	1.10%*	
3. Pump Head Req'd. @180°F w/increase in GPM	1.23%*	
4. Specific gravity (water = 1.0)	1.045-1.055*	
5. Pounds/Gallons @60°F (water = 8.3453 Pound/Gallon)	8.77	
6. pH @ 50% by volume	9.5	
7. Freezing Point	55% by volume - 50% -28°F 40% -13°F 30% + 4°F 20% +17°F	

\*Compared to water.

Approximate factors at varying altitudes	
Altitude	Factor
Sea level - 1000 feet	1.00
1000 feet - 3000 feet	.958
3000 feet - 5000 feet	.929
5000 feet - 7000 feet	.900
7000 feet - 10000 feet	.871



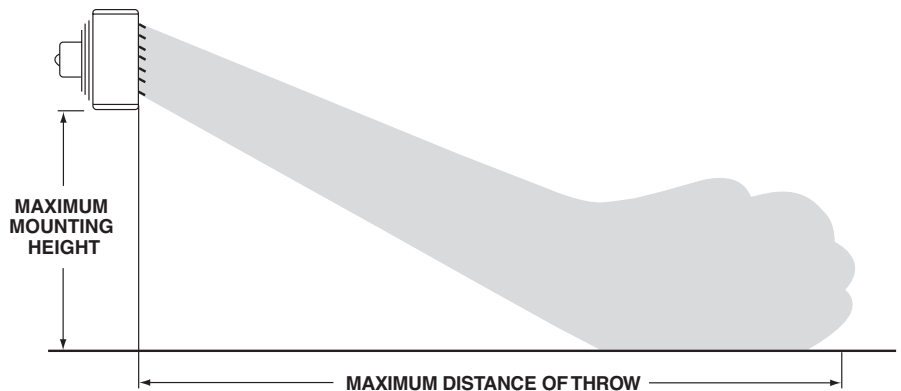
# Horizontal Unit Heaters

## Mounting Heights and Throws — Table 9

Model/Unit Size	Maximum Mounting Height	Approximate Maximum Throw	Model/Unit Size	Maximum Mounting Height	Approximate Maximum Throw
HS-108A	8'	20'	HS-108	11'	40'
HS-118A	8'	25'	HS-120	12'	40'
HS-125A	9'	29'	HS-132	13'	54'
HS-136A	9'	29'	HS-144	13'	55'
HS-18	8'	20'	HS-156	13'	55'
HS-24	8'	24'	HS-180	13'	53'
HS-36	9'	28'	HS-204	13'	55'
HS-48	9'	30'	HS-240	14'	57'
HS-60	10'	30'	HS-280	14'	57'
HS-72	10'	29'	HS-300	15'	58'
HS-84	10'	30'	HS-360	15'	60'
HS-96	11'	38'			

This table is based on 60°F entering air and either 2 Lbs steam or 200°F water with a 20°F TD. The data is based on the higher speed CFM throughout and velocity. Care should be exercised in locating adjacent unit heaters and allowance should be made for obstructions in the air pattern and conflicting air currents from other air moving devices.

**Figure 3**



# Horizontal Unit Heaters Dimensional Data

Figure 4

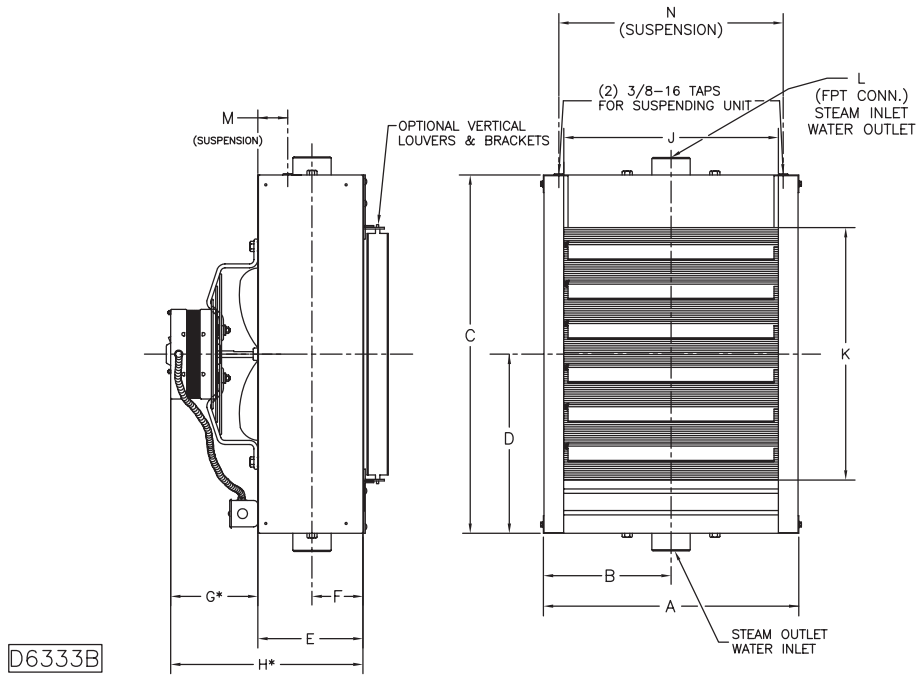


Table 10 - UNIT SIZES 18 THRU 360 (HEADER TYPE)

Unit Size	A inches (mm)	B inches (mm)	C inches (mm)	D inches (mm)	E inches (mm)	F inches (mm)	G* inches (mm)	H* inches (mm)	J inches (mm)	K inches (mm)	L inches (mm)	M inches (mm)	N inches (mm)	Number of Louvers	Nom. Fan Diam. inches (mm)	Approx. Ship Wt. lbs. (kg)
18	14 <sup>5</sup> / <sub>8</sub> (371)	7 <sup>5</sup> / <sub>16</sub> (186)	15 (381)	7 <sup>1</sup> / <sub>2</sub> (191)	6 <sup>1</sup> / <sub>8</sub> (156)	2 <sup>1</sup> / <sub>16</sub> (75)	3 <sup>1</sup> / <sub>4</sub> (83)	9 <sup>3</sup> / <sub>8</sub> (238)	12 <sup>1</sup> / <sub>4</sub> (311)	9 <sup>1</sup> / <sub>2</sub> (241)	1 <sup>1</sup> / <sub>4</sub> (32)	2 <sup>1</sup> / <sub>4</sub> (57)	12 <sup>7</sup> / <sub>8</sub> (327)	4	9 (229)	26 (11.8)
24	14 <sup>5</sup> / <sub>8</sub> (371)	7 <sup>5</sup> / <sub>16</sub> (186)	18 (457)	9 (229)	6 <sup>1</sup> / <sub>8</sub> (156)	2 <sup>1</sup> / <sub>16</sub> (75)	3 <sup>1</sup> / <sub>4</sub> (83)	9 <sup>3</sup> / <sub>8</sub> (238)	12 <sup>1</sup> / <sub>4</sub> (311)	12 <sup>1</sup> / <sub>2</sub> (318)	1 <sup>1</sup> / <sub>4</sub> (32)	2 <sup>1</sup> / <sub>4</sub> (57)	12 <sup>7</sup> / <sub>8</sub> (327)	5	10 (254)	30 (13.6)
36	17 <sup>1</sup> / <sub>8</sub> (435)	8 <sup>9</sup> / <sub>16</sub> (217)	20 <sup>1</sup> / <sub>2</sub> (521)	10 <sup>1</sup> / <sub>4</sub> (260)	5 <sup>7</sup> / <sub>8</sub> (149)	2 <sup>1</sup> / <sub>16</sub> (75)	5 <sup>1</sup> / <sub>16</sub> (144)	11 <sup>7</sup> / <sub>16</sub> (291)	14 <sup>3</sup> / <sub>4</sub> (375)	15 (381)	1 <sup>1</sup> / <sub>4</sub> (32)	1 <sup>3</sup> / <sub>4</sub> (44)	15 <sup>3</sup> / <sub>8</sub> (391)	6	12 (305)	41 (18.6)
48	17 <sup>1</sup> / <sub>8</sub> (435)	8 <sup>9</sup> / <sub>16</sub> (217)	20 <sup>1</sup> / <sub>2</sub> (521)	10 <sup>1</sup> / <sub>4</sub> (260)	5 <sup>7</sup> / <sub>8</sub> (149)	2 <sup>1</sup> / <sub>16</sub> (75)	5 <sup>1</sup> / <sub>16</sub> (129)	10 <sup>1</sup> / <sub>16</sub> (278)	14 <sup>3</sup> / <sub>4</sub> (375)	15 (381)	1 <sup>1</sup> / <sub>4</sub> (32)	1 <sup>3</sup> / <sub>4</sub> (44)	15 <sup>3</sup> / <sub>8</sub> (391)	6	12 (305)	41 (18.6)
60	18 <sup>3</sup> / <sub>8</sub> (467)	9 <sup>3</sup> / <sub>16</sub> (233)	21 <sup>3</sup> / <sub>4</sub> (552)	10 <sup>7</sup> / <sub>8</sub> (276)	6 (152)	2 <sup>1</sup> / <sub>16</sub> (75)	5 <sup>1</sup> / <sub>16</sub> (129)	11 <sup>1</sup> / <sub>16</sub> (281)	16 (406)	16 <sup>1</sup> / <sub>4</sub> (413)	1 <sup>1</sup> / <sub>4</sub> (32)	1 <sup>3</sup> / <sub>4</sub> (44)	16 <sup>5</sup> / <sub>8</sub> (422)	7	14 (356)	44 (19.9)
72	20 <sup>7</sup> / <sub>8</sub> (530)	10 <sup>7</sup> / <sub>16</sub> (265)	24 <sup>1</sup> / <sub>4</sub> (616)	12 <sup>1</sup> / <sub>8</sub> (308)	6 <sup>1</sup> / <sub>8</sub> (156)	2 <sup>1</sup> / <sub>16</sub> (75)	5 <sup>1</sup> / <sub>16</sub> (144)	11 <sup>3</sup> / <sub>16</sub> (300)	18 <sup>1</sup> / <sub>2</sub> (470)	18 <sup>3</sup> / <sub>4</sub> (476)	1 <sup>1</sup> / <sub>4</sub> (32)	1 <sup>3</sup> / <sub>4</sub> (44)	19 <sup>1</sup> / <sub>8</sub> (486)	8	14 (356)	47 (21.3)
96	19 <sup>5</sup> / <sub>8</sub> (498)	9 <sup>3</sup> / <sub>16</sub> (249)	24 (610)	12 (305)	6 <sup>5</sup> / <sub>16</sub> (160)	3 <sup>3</sup> / <sub>16</sub> (81)	7 <sup>1</sup> / <sub>2</sub> (191)	13 <sup>1</sup> / <sub>16</sub> (351)	17 <sup>1</sup> / <sub>4</sub> (438)	17 <sup>1</sup> / <sub>2</sub> (445)	1 <sup>1</sup> / <sub>2</sub> (38)	1 <sup>3</sup> / <sub>4</sub> (44)	17 <sup>7</sup> / <sub>8</sub> (454)	8	16 (406)	49 (22.2)
108	20 <sup>7</sup> / <sub>8</sub> (530)	10 <sup>7</sup> / <sub>16</sub> (265)	25 <sup>1</sup> / <sub>4</sub> (641)	12 <sup>5</sup> / <sub>8</sub> (321)	6 <sup>5</sup> / <sub>16</sub> (160)	3 <sup>3</sup> / <sub>16</sub> (81)	6 <sup>1</sup> / <sub>16</sub> (170)	13 (330)	18 <sup>1</sup> / <sub>2</sub> (470)	18 <sup>3</sup> / <sub>4</sub> (476)	1 <sup>1</sup> / <sub>2</sub> (38)	1 <sup>3</sup> / <sub>4</sub> (44)	19 <sup>1</sup> / <sub>8</sub> (486)	8	18 (457)	59 (26.7)
120	23 <sup>3</sup> / <sub>8</sub> (594)	11 <sup>1</sup> / <sub>16</sub> (297)	27 <sup>3</sup> / <sub>4</sub> (705)	13 <sup>7</sup> / <sub>8</sub> (352)	6 <sup>5</sup> / <sub>16</sub> (160)	3 <sup>3</sup> / <sub>16</sub> (81)	7 <sup>5</sup> / <sub>8</sub> (194)	14 (356)	21 (533)	21 <sup>1</sup> / <sub>4</sub> (540)	1 <sup>1</sup> / <sub>2</sub> (38)	1 <sup>3</sup> / <sub>4</sub> (44)	21 <sup>5</sup> / <sub>8</sub> (549)	9	18 (457)	74 (33.5)
132	23 <sup>3</sup> / <sub>8</sub> (594)	11 <sup>1</sup> / <sub>16</sub> (297)	27 <sup>3</sup> / <sub>4</sub> (705)	13 <sup>7</sup> / <sub>8</sub> (352)	6 <sup>5</sup> / <sub>16</sub> (160)	3 <sup>3</sup> / <sub>16</sub> (81)	7 <sup>1</sup> / <sub>16</sub> (194)	13 <sup>3</sup> / <sub>4</sub> (349)	21 (533)	21 <sup>1</sup> / <sub>4</sub> (540)	1 <sup>1</sup> / <sub>2</sub> (38)	1 <sup>3</sup> / <sub>4</sub> (44)	21 <sup>5</sup> / <sub>8</sub> (549)	9	18 (457)	74 (33.5)
144	24 <sup>5</sup> / <sub>8</sub> (625)	12 <sup>5</sup> / <sub>16</sub> (313)	29 (737)	14 <sup>1</sup> / <sub>2</sub> (368)	6 <sup>3</sup> / <sub>8</sub> (162)	3 <sup>3</sup> / <sub>16</sub> (81)	7 <sup>1</sup> / <sub>16</sub> (194)	13 <sup>3</sup> / <sub>4</sub> (349)	22 <sup>1</sup> / <sub>4</sub> (565)	22 <sup>1</sup> / <sub>2</sub> (572)	1 <sup>1</sup> / <sub>2</sub> (38)	1 <sup>3</sup> / <sub>4</sub> (44)	22 <sup>7</sup> / <sub>8</sub> (581)	9	18 (457)	90 (40.8)
156	27 <sup>7</sup> / <sub>8</sub> (708)	13 <sup>1</sup> / <sub>16</sub> (354)	30 <sup>1</sup> / <sub>4</sub> (768)	15 <sup>1</sup> / <sub>8</sub> (384)	8 <sup>1</sup> / <sub>8</sub> (206)	3 <sup>3</sup> / <sub>16</sub> (81)	5 <sup>7</sup> / <sub>8</sub> (149)	14 (356)	25 <sup>1</sup> / <sub>2</sub> (648)	23 <sup>3</sup> / <sub>4</sub> (603)	2 (51)	1 <sup>3</sup> / <sub>4</sub> (44)	26 <sup>1</sup> / <sub>8</sub> (664)	10	20 (508)	143 (65)
204	27 <sup>7</sup> / <sub>8</sub> (708)	13 <sup>1</sup> / <sub>16</sub> (354)	30 <sup>1</sup> / <sub>4</sub> (768)	15 <sup>1</sup> / <sub>8</sub> (384)	8 <sup>1</sup> / <sub>8</sub> (206)	3 <sup>3</sup> / <sub>16</sub> (81)	9 <sup>5</sup> / <sub>8</sub> (244)	17 <sup>3</sup> / <sub>4</sub> (451)	25 <sup>1</sup> / <sub>2</sub> (648)	23 <sup>3</sup> / <sub>4</sub> (603)	2 (51)	1 <sup>3</sup> / <sub>4</sub> (44)	26 <sup>1</sup> / <sub>8</sub> (664)	10	20 (508)	154 (70)
240	33 <sup>3</sup> / <sub>8</sub> (848)	16 <sup>1</sup> / <sub>16</sub> (424)	37 <sup>3</sup> / <sub>4</sub> (959)	18 <sup>7</sup> / <sub>8</sub> (479)	9 (229)	3 <sup>3</sup> / <sub>16</sub> (81)	9 <sup>5</sup> / <sub>8</sub> (244)	18 <sup>5</sup> / <sub>8</sub> (473)	31 (787)	31 <sup>1</sup> / <sub>4</sub> (794)	2 (51)	1 <sup>3</sup> / <sub>4</sub> (44)	31 <sup>5</sup> / <sub>8</sub> (803)	13	24 (610)	203 (92)

\* Applies to standard motor with standard fan guard. When optional motors or OSHA fan guards are requested, dimensions will vary according to the substitutions made.

- NOTES:
1. OSHA guard standard on all serpentine models and header models 18 thru 48 supplied with 1 phase motors (dimensions shown in tables).
  2. Standard motor and standard guard shown.
  3. All 3 phase and explosion proof motors are shelf mounted.
  4. Optional OSHA guards available for all units with standard 1 phase motor.

# Horizontal Unit Heaters Specifications

## GENERAL

Furnish and install, where indicated or scheduled on plans the horizontal steam/hot water unit heater. Unit shall be equipped as specified herein. All units shall be installed in a neat and workmanlike manner in accordance with this specification and the manufacturer's installation instruction.

## CASING

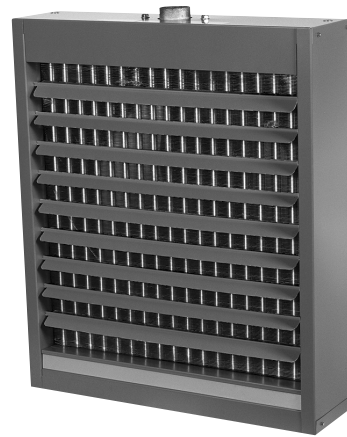
Casings shall be 20-gauge die-formed steel. Paint finish shall be of lead-free, chromate free, polyester melamine resin base. Finish shall be baked at 400°F.

## COIL SIZES 18 – 360

Coil elements and headers shall be of heavy wall drawn seamless copper tubing. Element tubes shall be brazed into extruded header junctions. Pipe connection saddles shall be of cast bronze. Aluminum fins shall have drawn collars to assure permanent bond with expanded element tubes and exact spacing. All Element Assemblies are submersion tested at the factory at 200 PSI. Under maximum conditions, coils are rated at 150 PSI at 366°F for steam and 150 PSI at 320°F for hot water. We recommend operating pressure of 75 PSI at 320°F for long life.

## MOTORS

Motors shall be totally enclosed, resilient mounted with class "B" windings. All motors shall be designed for horizontal mounting. Motors under 1/3 HP are totally enclosed, frame mounted, 115/1/60 with thermal overload protection and permanently lubricated sleeve bearings with optional solid state speed controller available. 1/3 HP (115/1/60) motors are open frame construction, with thermal overload protection and ball bearings. 1/3 HP at (230 volt) and 1/2 HP (230 volt) motors are open frame construction, with thermal overload protection and ball bearings. 1/3 and 1/2 HP motors are available in single and 3 phase in open frame construction or explosion-proof housings, all the above are available as options.



## EXPLOSION PROOF MOTORS

An enclosed motor whose enclosure is designed and constructed to withstand an explosion of a specific gas or vapor which may occur within the motor and to prevent the ignition of this gas or vapor surrounding the machine.

Horizontal unit heater motors comply with the National Electrical Code classification as follows:

- Class I, Group D; all sizes
- Class II, Group F; all sizes
- Class II, Group G; all sizes
- Division I & II Installations
- T-code (T3B)

Explosion proof equipment is not generally available for Class I, Groups A and B and it is necessary to isolate motors from the hazardous area. All explosion proof motors are shelf mounted.

## FANS

Fans shall be of the aluminum blade, hub type designed and balanced to assure maximum air delivery, low motor horsepower requirements and quiet operation. Blades are spark proof.

## FAN GUARDS

Fan guards shall be welded steel, zinc plated or painted. To meet ETL and OSHA requirements, units mounted below 8 feet from floor must be equipped with an OSHA fan guard. OSHA fan guards are standard on coil sizes 18 through 48 and optional on coil sizes 60 through 360 with single phase, standard motors only.

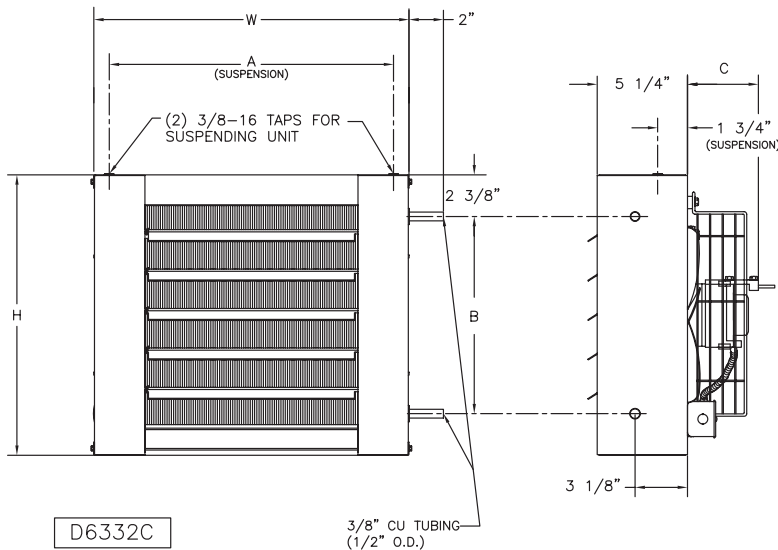
## AIR DEFLECTION LOUVERS

Units shall be equipped with horizontal, individually adjustable louvers. Vertical louvers for four-way air control shall be available as an optional extra.

# Serpentine Coil Horizontal Unit Heaters

## Dimensional Data

Figure 5



**NOTE:** Motors are totally enclosed, thermally protected, sleeve bearing, with 2" (h) x 4" (w) conduit connection boxes. Nutserts are attached to enclosure for balanced hanging.

Table 11 - STANDARD SPECIFICATION

Unit Size	H inches (mm)	W inches (mm)	A inches (mm)	B inches (mm)	C inches (mm)
108A	16 (406)	18 (457)	16 <sup>7</sup> / <sub>32</sub> (412)	11 <sup>1</sup> / <sub>4</sub> (286)	4 <sup>1</sup> / <sub>4</sub> (108)
118A	16 (406)	18 (457)	16 <sup>7</sup> / <sub>32</sub> (412)	11 <sup>1</sup> / <sub>4</sub> (286)	4 <sup>1</sup> / <sub>4</sub> (108)
125A	16 (406)	18 (457)	16 <sup>7</sup> / <sub>32</sub> (412)	11 <sup>1</sup> / <sub>4</sub> (286)	4 <sup>1</sup> / <sub>4</sub> (108)
136A*	18 <sup>1</sup> / <sub>2</sub> (470)	20 <sup>1</sup> / <sub>2</sub> (521)	18 <sup>22</sup> / <sub>32</sub> (475)	13 <sup>3</sup> / <sub>4</sub> (349)	5 <sup>1</sup> / <sub>16</sub> (144)

Unit Size	Number of Louvers	Nominal Fan Diameter inches (mm)	Approx. Ship Wt. lb. (kg)
108A	5	9 (229)	22 (10.0)
118A	5	10 (254)	24 (10.9)
125A	5	10 (254)	25 (11.3)
136A*	6	12 (305)	31 (14.0)

\* DIMENSION "C" IS TO BACK OF MOTOR, NOT MOTOR CONDUIT CONNECTOR AS SHOWN ABOVE.

**NOTE:** OSHA type fan guard standard on sizes 108A through 136A.

# Serpentine Coil Horizontal Unit Heaters Specifications

### GENERAL

Furnish and install, where indicated or scheduled on plans the horizontal hot water unit heater. Unit shall be equipped as specified herein. All units shall be installed in a neat and workmanlike manner in accordance with this specification and the manufacturer's installation instruction.

### CASING

Casings shall be 20-gauge die-formed steel. Paint finish shall be of lead-free, chromate free, polyester melamine resin base. Finish shall be baked at 400°F.

### COIL SIZES 108A – 136A

Coil is a serpentine design with seamless copper tubing. Aluminum fins shall have drawn collars to assure permanent bond with expanded tubes. Tubing connection shall be 3/8 inch copper tubing, type "M" (.500 OD). Coils shall be factory tested at 200 PSI. Coils have a max operating entering water temperature of 320°F.

### MOTORS

Motors shall be totally enclosed, resilient mounted with class "B" windings. All motors shall be designed for horizontal mounting.

### FANS

Fans shall be of the aluminum blade type, designed and balanced to assure maximum air delivery, low motor horsepower requirements and quiet operation.

### OSHA FAN GUARDS

OSHA fan guards shall be welded steel, zinc plated or painted. OSHA fan guards are standard on all models.

### AIR DEFLECTION LOUVERS

Units shall be equipped with horizontal, individually adjustable louvers.



# Horizontal Unit Heaters Motor Characteristics

**Table 12 - TOTALLY ENCLOSED MOTOR TYPE**

Unit Sizes	AMP	MCA	HP	RPM
<b>115/1/60</b>				
18, 24, 108A, 118A	0.8	1.0	16W*	1550
136A	1.4	1.8	1/20*	1000
36, 125A	1.2	1.5	25W*	1550
48, 60, 72	1.4	1.8	1/20*	1000
84, 96, 108	2.2	2.8	1/12*	1000
120, 132, 144, 156, 180, 204, 240	4.5	5.6	1/3	1140
280, 300, 360	5.4	6.8	1/2	1100
<b>230/1/60</b>				
18, 24, 108A, 118A	0.4	0.5	16W	1550
136A	1.4	1.8	1/20†	1000
36, 125A	0.6	0.8	25W	1550
48, 60, 72	1.4	1.8	1/20†	1000
84, 96, 108	2.2	2.8	1/12†	1000
120, 132, 144, 156, 180, 204, 240	4.5	5.6	1/3†	1140
280, 300, 360	5.4	6.8	1/2†	1100
<b>208-230/460/3/60</b>				
48, 60, 72, 84, 96, 108, 120, 132, 144, 156, 180, 204, 240, 280, 300, 360	2.6-2.6/1.3	3.3-3.3/1.6	1/2**	1140

\* Optional variable speed switch is available.

\*\*These motors are without thermal overload protection. Motors without thermal overload protection must be installed with the optional manual starter or other field provided overload protection.

NOTE 1: All motors are constant speed and operate at top speed as indicated in motor data. Unit sizes 18 through 108, including 108A, 118A, 125A and 136A can be run at reduced speed with addition of optional variable speed switch. This switch is factory-calibrated for low and high speed ratings, with intermediate speeds infinitely controllable. Unit sizes 120 through 360 operate at constant speed as indicated in motor data. All 1/4 HP motors are PSC.

NOTE 2: Motors under 1/3 HP are totally enclosed, frame mounted, 115/1/60 with thermal overload protection and permanently lubricated sleeve bearings with optional speed controller available. 1/3 HP (115/1/60) motors are open frame constant speed with thermal over-load protection and ball bearings. 1/3 HP (230 volt) and 1/2 HP (230 volt) motors are open frame constant speed with thermal overload protection and ball bearings.

**Table 13 - EXPLOSION PROOF WITH THERMAL OVERLOAD MOTOR TYPE**

Unit Sizes	AMP	MCA	HP	RPM
<b>115/1/60</b>				
48, 60, 72, 84, 96, 108, 120, 132	3.7	4.6	1/6	1140
144, 156, 180, 204	5.4	6.8	1/4	1140
240	7.8	9.8	1/3***	1140
280, 300, 360	9.6	12.0	1/2***	1140
<b>230/1/60</b>				
48, 60, 72, 84, 96, 108, 120, 132	3.7	4.6	1/6†	1140
144, 156, 180, 204	5.4	6.8	1/4†	1140
240	3.9	4.9	1/3***	1140
280, 300, 360	4.8	6.0	1/2***	1140
<b>230/460/3/60</b>				
144, 156, 180, 204, 240, 280, 300, 360	2.2/1.1	2.8/1.4	1/3	1140

\*\*\*These motors are 115/230 volts.

†230/1/60 unit has 115/1/60 motor supplied with field installed stepdown transformer.

NOTE 3: 1/3 and 1/2 HP motors are available as 230 volt single and 3 phase in open frame and explosion-proof housings, all available as options. 1/3 and 1/2 HP motors operate at single speed only.

NOTE 4: Stated AMP draw is full load amp (FLA). AMP draw varies by motor manufacturer ± .2 AMPS. Verify FLA per unit motor data plate.

**CAUTION: Select appropriate AMP and MCA for the multiple voltage motors. For example, the AMP and MCA for Models 360 with a 460 volt Totally Enclosed motor is 1.3 and 1.6 respectively.**

# Vertical Unit Heaters Features and General Specifications

Vertical projection unit heaters provide heat where it is required in commercial and industrial applications. Mounted near the ceiling, this unit provides air circulation and reduces stratification, without occupying otherwise usable building space. Units can be provided with an optional diffuser for patterned discharge or without a diffuser for higher velocity 'spot' heating near doorways and other high-loss areas.

Vertical units are available in fifteen sizes for steam or hot water heating. Steam capacities range from 140 to 2,580 EDR (26.0 to 705 MBH) (2 PSI w/60°F EAT). Hot water capacities range from 18.9 to 519.4 MBH (200°F EWT/20°F drop w/60°F EAT).

## CONSTRUCTION

The unit casing is formed by two square, 20-gauge steel plates. The bottom plate forms an orifice for air delivery. Air ports are stamped in the top plate of standard units for easy conversion of low output units.

## FAN

The aluminum blade fans are quiet, factory balanced and sturdy for standard or sparkproof applications.

## OPTIONAL OSHA FAN GUARD, LOUVER CONE DIFFUSER

To meet ETL and OSHA requirements, units mounted below 8 feet (2.4 m) must be equipped with an OSHA Fan Guard. If adjustments to the vertical airflow pattern are desired, the Louver Cone Diffuser can be installed.

Note: Vertical unit heaters can support either OSHA Fan Guard or the Louver Cone Diffuser - **both units cannot be installed on the same unit.**

## HEATING ELEMENT

Hot water-steam coils are rectangular 3 or 4-sided, one-pass, multiple circuit, with aluminum fins mechanically bonded to the tubes. Standard coils are seamless copper tubing. Coils tested at 375 PSI under water. Supply and return connections are steel pipe. Standard coils have .025 copper tubing suitable for use on steam pressure to 75 PSI or hot water up to 225 PSI or 325°F.

## MOTORS

Standard motors are 115/60/1, totally enclosed, with thermal overload protection for all vertical units through size 285. Standard motors for sizes 40, 62 and 77 are shaded pole, sleeve bearing. The vertical 104 motor is permanent split capacitor type with sleeve bearings. Motor for unit sizes 125 through 285 are permanent split capacitor types with permanently lubricated ball bearings. Motors used on unit sizes 317 through 700 are 230/460/60/3, totally enclosed, with permanently lubricated ball bearings. Unit sizes smaller than 317 are also available with 230/460/60/3 motors.

All motors fractional HP and integral HP, have Class "B" insulation. The 115/60/1 motors used as standard on unit

sizes 40 through 104 can be operated at multiple speeds with the addition of a solid-state control.

All units are available with 1140 RPM explosion-proof motors.

## EXPLOSION PROOF MOTORS

An enclosed motor whose enclosure is designed and constructed to withstand an explosion of a specific gas or vapor which may occur within the motor and to prevent the ignition of this gas or vapor surrounding the machine.

Vertical unit heater motors comply with the National Electrical Code classification as follows:

- Class I, Group D; all sizes
- Class II, Group F; all sizes
- Class II, Group G; all sizes
- Division I & II Installations
- T-code (T3B)

Explosion proof equipment is not generally available for Class I, Groups A and B and it is necessary to isolate motors from the hazardous area.

## THERMOSTATS

Three, line voltage wall thermostats are in stock for immediate shipment. All models operate in a 45 to 85°F (7 to 28°C) range. Standard duty model with "off-auto" and heavy duty models with "auto-off-fan" switching are available. Other models available on request. Plastic tamperproof one size fits all thermostat guards are also available.

## STRAP-ON WATER CONTROL

A SPDT strap-on type hot water control with 100° to 240°F (38 to 116°C) rated at 10 amps at 120 volt is also available. Control can be used for direct or reverse acting applications as a high or low limit.

## STEAM PRESSURE CONTROL

SPST switch opens on a rise in pressure. Control is automatically reset, has a range of 0 to 15 PSIG (0 to 103 KPa) and has an adjustable differential. **Other actions, ranges, circuits and manual reset models are available on request.**

## MANUAL STARTERS

Single and three-phase models are available. Standard models are single-speed, toggle-operated, NEMA Type 1 and are surface-mounted. **Note: While these manual starters can be used with explosion-proof motors, they do not meet requirements for use in explosion-proof applications.**

## WALL MOUNTED SPEED CONTROLLERS

Horizontal units up to 108 and vertical units up to 104 with standard motors (115 volt) can be operated at reduced speeds by addition of optional speed controller. Controller is 5 amps, pre-set at factory for maximum and minimum speeds, with intermediate speeds infinitely controllable. All 1/3, 1/2 HP and 230 volt motors operate only at rated speed and CFM – See performance data charts.

# Vertical Unit Heaters

## Steam Performance Data – Table 14

Performance based on 2 Lbs steam pressure at heater with air entering @ 60°F.



### STANDARD UNITS

Model/ Unit Size	BTU Per Hour*	Condensate Lbs Per Hour	Square Foot EDR	Final Temperature	Motor HP †	Motor RPM	CFM 70°F Air Basis	Outlet Velocity	Nominal Amps at 115 VAC**	Sound Rating
VS-40	41,300	43	172	124°F	1/40	1550	595	877	1.2	I
	<i>33,600</i>	<i>55</i>	<i>140</i>	<i>131°F</i>		<i>1150</i>	<i>436</i>	<i>658</i>		
VS-62	65,500	68	273	121°F	1/20	1550	989	1005	2.1	II
	<i>52,800</i>	<i>55</i>	<i>220</i>	<i>129°F</i>		<i>1150</i>	<i>706</i>	<i>727</i>		
VS-77	80,600	83	336	122°F	1/20	1550	1200	1220	2.1	II
	<i>65,100</i>	<i>67</i>	<i>271</i>	<i>130°F</i>		<i>1150</i>	<i>858</i>	<i>894</i>		
VS-104	101,800	106	424	123°F	1/8	1070	1490	980	1.2	II
	<i>87,900</i>	<i>91</i>	<i>366</i>	<i>129°F</i>		<i>850</i>	<i>1180</i>	<i>783</i>		
VS-125	124,400	129	518	124°F	1/6	1100	1790	1170	2.3	III
VS-144	152,000	157	633	123°F	1/6	1100	2220	1045	2.3	III
VS-164	173,000	179	720	121°F	1/6	1100	2620	1230	2.3	IV
VS-200	210,200	208	838	118°F	1/4	1100	3200	1495	3.6	III
VS-237	249,800	260	1040	115°F	1/4	1100	4180	1205	3.6	IV
VS-285	283,800	294	1180	119°F	1/2	1100	4430	1275	5.4	IV
VS-317	333,400	345	1390	119°F	3/4	1140	5210	1500	N/A	IV
VS-367	386,000	400	1610	118°F	3/4	1140	6140	1770	N/A	IV
VS-495	496,000	514	2070	117°F	1-1/2	1160	8020	1640	N/A	IV
VS-585	585,000	605	2440	117°F	1-1/2	1160	9450	1930	N/A	IV
VS-700	705,000	729	2940	119°F	3	1165	11,000	2250	N/A	IV

#### NOTES:

Constant speed units are rated at capacities shown in regular type; capacities shown in italic faced type apply only to units with multi-speed motors.

\* To determine BTU per hour capacities at various steam pressures and entering air temperatures, use conversion factors from Table 17, page 17. Final temperatures at new conditions can be calculated by applying basic formula.

\*\* Stated AMP is full load amps (FLA). AMP draw varies by motor manufacturer ±0.2 AMPS. See Page 25 for motor data.

† Motor HP listed is applicable to standard motor type only. For explosion proof motor HP, see unit installation manual.

# Vertical Unit Heaters

## Steam Performance Data — Table 15

Performance based on 2 Lbs steam pressure at heater with air entering @ 60°F.

### LOW OUTPUT UNITS

#### STANDARD VERTICAL UNITS WITH ALL AIR PORTS OPEN

Model/ Unit Size	BTU Per Hour	Condensate Lbs Per Hour	Square Foot EDR	Final Temperature	Motor HP †	Motor RPM	CFM 70° F Air Basis	Outlet Velocity	Sound Rating
VS-40L	34,800	36	145	108°F	1/40	1550	668	950	I
	<i>26,000</i>	<i>27</i>	<i>108</i>	<i>111°F</i>		<i>1150</i>	<i>470</i>	<i>672</i>	
VS-62L	57,200	59	238	104°F	1/20	1550	1200	1190	I
	<i>45,800</i>	<i>48</i>	<i>191</i>	<i>109°F</i>		<i>1150</i>	<i>862</i>	<i>858</i>	
VS-77L	68,000	71	283	106°F	1/20	1550	1360	1350	II
	<i>55,000</i>	<i>57</i>	<i>229</i>	<i>111°F</i>		<i>1150</i>	<i>995</i>	<i>992</i>	
VS-104L	85,400	89	356	108°F	1/8	1070	1640	1050	II
	<i>71,200</i>	<i>74</i>	<i>296</i>	<i>111°F</i>		<i>850</i>	<i>1290</i>	<i>827</i>	
VS-125L	111,000	115	462	107°F	1/6	1100	2180	1390	III
VS-144L	125,000	130	524	109°F	1/6	1100	2360	1080	III
VS-164L	149,000	154	620	107°F	1/6	1100	2920	1340	IV
VS-200L	176,800	183	736	108°F	1/4	1100	3390	1560	III
VS-237L	214,900	224	895	104°F	1/4	1100	4500	1270	IV
VS-285L	251,800	260	1050	106°F	1/2	1100	5040	1420	IV
VS-317L	291,000	302	1210	107°F	3/4	1140	5700	1610	IV
VS-367L	344,000	356	1430	108°F	3/4	1140	6600	1870	IV
VS-495L	428,000	446	1785	102°F	1-1/2	1160	9380	1860	IV
VS-585L	515,000	533	2140	106°F	1-1/2	1160	10,300	2060	IV
VS-700L	620,000	642	2580	108°F	3	1165	11,900	2380	IV

#### NOTES:

Constant speed units are rated at capacities shown in regular type; capacities shown in italic faced type apply only to units with multi-speed motors.

To determine BTU per hour capacities at various steam pressures and entering air temperatures, use conversion factors from Table 17, page 17. Final temperatures at new conditions can be calculated by applying basic formula.

† Motor HP listed is applicable to standard motor type only. For explosion proof motor HP, see unit installation manual.



# Vertical Unit Heaters Steam Calculations and Correction Factors

**EXAMPLE: –**  
 UNIT SIZE: \_\_\_\_\_ 40  
 Steam Pressure \_\_\_\_ 10 PSI  
 Entering Air Temp. \_\_\_\_ 40°F

<b>I. CAPACITY</b>		
A. For 2 lbs. steam, 60°F entering air	Read output directly from Tables 14 & 15: 41,300 BTU/HR	
B. For higher steam pressures and/or EAT's above or below 60°F	Multiply output from Tables 14 & 15 by appropriate correction factor from Table 16 (below)	41,300 x 1.27 = 52,451 BTU/HR
<b>II. FINAL AIR TEMPERATURE</b>		
A. For 2 LBS steam, 60°F entering air	Read temperature directly from Tables 14 & 15: 124°F	
B. For capacities calculated in IB (above)	$\frac{\text{Output from IB}}{1.085 \times \text{CFM from Table 14}} + \text{EAT} = \text{Final Air Temperature}$	$\frac{52,451}{1.085 \times 595} + 40 = 121.0^\circ\text{F}$
<b>III. FINAL AIR VOLUME</b>		
A. For 2 LBS steam, 60°F entering air	$\frac{460 + \text{Final Air Temp from Table 14}}{530} \times \begin{matrix} \text{Nom. CFM} \\ \text{from} \\ \text{Table 14} \end{matrix} = \begin{matrix} \text{Final} \\ \text{Air} \\ \text{Volume} \end{matrix}$	$\frac{460 + 124}{530} \times 595 = 655 \text{ CFM}$
B. For final air temperatures calculated in IIB (above)	$\frac{460 + \text{Final Air Temp from IIB}}{530} \times \begin{matrix} \text{Nom. CFM} \\ \text{from} \\ \text{Table 14} \end{matrix} = \begin{matrix} \text{Final} \\ \text{Air} \\ \text{Volume} \end{matrix}$	$\frac{460 + 121.0}{530} \times 595 = 652 \text{ CFM}$
<b>IV. CONDENSATE PER HOUR</b>		
A. For 2 LBS steam, 60°F entering air	Read LBS per hour from Tables 14 & 15: 43 LBS/HR	
B. For capacities calculated in IB (above)	$\frac{\text{Output from IB}}{\text{Latent Heat From Table 17}} = \text{LBS per hour of condensate}$	$\frac{52,451}{953} = 55.0 \text{ LBS/HR}$

**Table 16 — STEAM CORRECTION FACTORS BASED ON 2 LBS. STEAM 60°F EAT**

ENTERING AIR TEMPERATURE	STEAM PRESSURE — LBS PER SQUARE INCH (SATURATED)									
	0	2	5	10	15	20	30	40	50	75
30°F	1.18	1.22	1.27	1.34	1.40	1.45	1.53	1.61	1.67	1.79
40°F	1.11	1.15	1.20	1.27	1.32	1.37	1.46	1.53	1.59	1.71
50°F	1.03	1.07	1.12	1.19	1.25	1.30	1.39	1.46	1.52	1.64
60°F	0.96	1.00	1.05	1.12	1.18	1.23	1.32	1.39	1.45	1.57
70°F	0.90	0.93	0.98	1.05	1.11	1.16	1.25	1.32	1.38	1.49
80°F	0.83	0.86	0.91	0.98	1.04	1.09	1.18	1.25	1.31	1.42
90°F	0.76	0.80	0.85	0.91	0.97	1.02	1.11	1.18	1.24	1.36
100°F	0.69	0.73	0.78	0.85	0.90	0.96	1.04	1.11	1.17	1.29

**Table 17 — PROPERTIES OF SATURATED STEAM**

	STEAM PRESSURE IN LBS PER SQUARE INCH GAUGE									
	0	2	5	10	15	20	30	40	50	75
Steam Temperature-°F	212.0	218.5	227.1	239.4	249.8	258.8	274.0	286.7	297.7	319.9
Latent Heat of Steam	970	966	961	953	946	940	929	920	912	891

NOTE 1: Ratings apply only to free inlet and discharge without diffusers.

NOTE 2: All motors are constant speed and operate at top speed as indicated in motor data. Sizes 40 through 104 can be run at reduced speed with addition of optional variable speed switch. This switch is factory-calibrated for low and high speed ratings, with intermediate speeds infinitely controllable. Sizes 164 through 700 operate at constant speed as indicated in motor data.

NOTE 3: For specific motor data refer to motor specifications on page 25.

NOTE 4: To correct for entering air temperatures, use 1°F temperature rise for each foot in mounting height. As an example, 60°F air is required at work area (5 feet above floor) units are to be mounted at (20 feet) above floor. Mounting height (20 feet) minus work height (5 feet) equals differential (15 feet) or, 15°F rise in air temperature at unit air inlet. Correct for actual inlet air temperature of 75°F (60°F + 15°F = 75°F EAT) on Table 16.

# Vertical Unit Heaters

## Hot Water Performance Data\*\* — Table 18

### STANDARD OUTPUT UNITS

Model/ Unit Size	Water Temp Drop	Output MBH	GPM	H <sub>2</sub> O Pressure Drop	Final Air Temp	Motor HP †	Motor RPM	Nominal CFM	Outlet Velocity	Sound Rating
VS-40	10°F	28.8	5.93	.37	104.6°F	1/40	1550	595	877	I
	<b>20°F</b>	<b>22.7</b>	<b>2.34</b>	<b>.06</b>	<b>95.2°F</b>					
	30°F	16.7	1.15	.02	85.9°F					
VS-40*	10°F	22.9	4.71	.24	108.3°F	1/40	1150	436	658	I
	<b>20°F</b>	<b>18.1</b>	<b>1.87</b>	<b>.04</b>	<b>98.3°F</b>					
	30°F	13.4	.92	.01	88.4°F					
VS-62	10°F	48.1	9.92	1.05	104.8°F	1/20	1550	989	1005	II
	<b>20°F</b>	<b>39.6</b>	<b>4.08</b>	<b>.19</b>	<b>96.9°F</b>					
	30°F	31.1	2.14	.06	89.0°F					
VS-62*	10°F	38.1	7.85	.67	109.7°F	1/20	1150	706	727	II
	<b>20°F</b>	<b>31.5</b>	<b>3.24</b>	<b>.13</b>	<b>101.1°F</b>					
	30°F	24.8	1.71	.04	92.4°F					
VS-77	10°F	58.7	12.11	.98	105.1°F	1/20	1550	1200	1220	II
	<b>20°F</b>	<b>48.4</b>	<b>4.99</b>	<b>.18</b>	<b>97.2°F</b>					
	30°F	38.1	2.62	.05	89.3°F					
VS-77*	10°F	46.5	<b>9.59</b>	.63	110.0°F	1/20	1150	858	894	II
	<b>20°F</b>	<b>38.5</b>	<b>3.97</b>	<b>.12</b>	<b>101.2°F</b>					
	30°F	30.5	2.09	.03	92.7°F					
VS-104	10°F	77.2	15.91	2.06	106.6°F	1/8	1070	1528	980	II
	<b>20°F</b>	<b>68.3</b>	<b>7.03</b>	<b>.44</b>	<b>101.2°F</b>					
	30°F	59.3	4.08	.16	95.8°F					
VS-104*	10°F	63.7	13.13	1.43	108.6°F	1/8	850	1208	783	II
	<b>20°F</b>	<b>56.5</b>	<b>5.82</b>	<b>.31</b>	<b>103.1°F</b>					
	30°F	49.2	3.38	.11	97.6°F					
VS-125	10°F	94.9	19.55	3.04	108.9°F	1/6	1100	1790	1170	III
	<b>20°F</b>	<b>83.7</b>	<b>8.63</b>	<b>.65</b>	<b>103.1°F</b>					
	30°F	72.5	4.98	.23	97.3°F					
VS-144	10°F	117.6	24.24	4.32	108.8°F	1/6	1100	2220	1045	III
	<b>20°F</b>	<b>105.2</b>	<b>10.84</b>	<b>.96</b>	<b>103.7°F</b>					
	30°F	92.8	6.38	.36	98.5°F					

\*\* Performance based on 200°F EWT, 20°F TD, 60°F EAT. Performance at 10°F & 30°F TD is also shown.

For capacities at other conditions, use the correction multipliers in the tables on page 22.

\* Speed controller option is required for reduced ratings.

† Motor HP listed is applicable to standard motor type only. For explosion proof motor HP, see unit installation manual.

# Vertical Unit Heaters

## Hot Water Performance Data\*\* – Table 19

### STANDARD OUTPUT UNITS

Model/ Unit Size	Water Temp Drop	Output MBH	GPM	H <sub>2</sub> O Pressure Drop	Final Air Temp	Motor HP †	Motor RPM	Nominal CFM	Outlet Velocity	Sound Rating
VS-164	10°F	132.4	27.29	3.67	106.6°F	1/6	1100	2620	1230	IV
	<b>20°F</b>	<b>118.6</b>	<b>12.22</b>	<b>.81</b>	<b>101.7°F</b>					
	30°F	104.8	7.20	.30	96.9°F					
VS-200	10°F	156.2	32.20	5.02	105.0°F	1/4	1100	3200	1495	III
	<b>20°F</b>	<b>139.7</b>	<b>14.40</b>	<b>1.11</b>	<b>100.2°F</b>					
	30°F	123.2	8.47	.41	95.5°F					
VS-237	15°F	188.9	25.95	3.92	101.8°F	1/4	1100	4162	1205	IV
	<b>20°F</b>	<b>180.1</b>	<b>18.56</b>	<b>2.10</b>	<b>99.9°F</b>					
	30°F	162.7	11.18	.82	96.0°F					
VS-285	15°F	215.4	29.60	5.02	104.8°F	1/2	1100	4430	1275	IV
	<b>20°F</b>	<b>205.4</b>	<b>21.17</b>	<b>2.68</b>	<b>102.7°F</b>					
	30°F	185.3	12.73	1.04	98.5°F					
VS-317	15°F	254.9	35.03	6.88	105.1°F	3/4	1140	5210	1500	IV
	<b>20°F</b>	<b>242.9</b>	<b>25.03</b>	<b>3.67</b>	<b>103.0°F</b>					
	30°F	218.9	15.04	1.42	98.7°F					
VS-367	15°F	294.7	40.49	6.60	104.2°F	3/4	1140	6140	1770	IV
	<b>20°F</b>	<b>280.8</b>	<b>28.94</b>	<b>3.52</b>	<b>102.2°F</b>					
	30°F	253.1	17.39	1.36	98.0°F					
VS-495	15°F	—	—	—	—	1-1/2	1160	8020	1640	IV
	<b>20°F</b>	<b>368.1</b>	<b>37.93</b>	<b>5.81</b>	<b>102.3°F</b>					
	30°F	333.6	22.92	2.29	98.3°F					
VS-585	15°F	451.2	62.00	8.78	104.0°F	1-1/2	1160	9450	1930	IV
	<b>20°F</b>	<b>431.1</b>	<b>44.43</b>	<b>4.72</b>	<b>102.0°F</b>					
	30°F	391.0	26.86	1.86	98.1°F					
VS-700	15°F	—	—	—	—	3	1165	11,000	2250	IV
	<b>20°F</b>	<b>519.4</b>	<b>53.52</b>	<b>5.29</b>	<b>103.5°F</b>					
	30°F	470.9	32.35	2.08	99.5°F					

\*\* Performance based on 200°F EWT, 20°F TD, 60°F EAT. Performance at 10°F & 30°F TD is also shown.

For capacities at other conditions, use the correction multipliers in the tables on page 22.

† Motor HP listed is applicable to standard motor type only. For explosion proof motor HP, see unit installation manual.

# Vertical Unit Heaters

## Hot Water Performance Data\*\* — Table 20

### LOW OUTPUT UNITS

#### STANDARD VERTICAL UNITS WITH ALL AIR PORTS OPEN

Model/ Unit Size	Water Temp Drop	Output MBH	GPM	H <sub>2</sub> O Pressure Drop	Final Air Temp	Motor HP †	Motor RPM	Nominal CFM	Outlet Velocity	Sound Rating
VS-40L	10°F	23.9	4.92	.26	92.9°F	1/40	1550	668	950	I
	<b>20°F</b>	<b>18.9</b>	<b>1.95</b>	<b>.04</b>	<b>86.1°F</b>					
	30°F	14.0	.96	.01	79.3°F					
VS-40L*	10°F	16.7	3.45	.13	92.8°F	1/40	1150	470	672	I
	<b>20°F</b>	<b>13.5</b>	<b>1.39</b>	<b>.02</b>	<b>86.4°F</b>					
	30°F	—	—	—	—					
VS-62L	10°F	41.5	8.56	.80	91.9°F	1/20	1550	1200	1190	II
	<b>20°F</b>	<b>34.2</b>	<b>3.53</b>	<b>.15</b>	<b>86.3°F</b>					
	30°F	27.0	1.85	.04	80.7°F					
VS-62L*	10°F	32.4	6.68	.50	94.7°F	1/20	1150	862	858	II
	<b>20°F</b>	<b>26.9</b>	<b>2.77</b>	<b>.09</b>	<b>88.7°F</b>					
	30°F	21.3	1.46	.03	82.8°F					
VS-77L	10°F	48.9	10.09	.69	93.2°F	1/20	1550	1360	1350	II
	<b>20°F</b>	<b>40.5</b>	<b>4.17</b>	<b>.13</b>	<b>87.4°F</b>					
	30°F	32.0	2.20	.04	81.7°F					
VS-77L*	10°F	38.5	7.94	.44	95.7°F	1/20	1150	995	992	II
	<b>20°F</b>	<b>32.0</b>	<b>3.29</b>	<b>.08</b>	<b>89.6°F</b>					
	30°F	25.4	1.75	.02	83.5°F					
VS-104L	10°F	63.7	13.13	1.43	93.5°F	1/8	1070	1752	1050	II
	<b>20°F</b>	<b>56.5</b>	<b>5.82</b>	<b>.31</b>	<b>89.7°F</b>					
	30°F	49.2	3.38	.11	85.9°F					
VS-104L*	10°F	54.5	11.24	1.06	93.5°F	1/8	850	1499	827	II
	<b>20°F</b>	<b>48.5</b>	<b>4.99</b>	<b>.23</b>	<b>89.8°F</b>					
	30°F	42.4	2.91	.08	86.1°F					
VS-125L	10°F	83.7	17.24	2.40	95.4°F	1/6	1100	2180	1390	III
	<b>20°F</b>	<b>73.9</b>	<b>7.62</b>	<b>.51</b>	<b>91.3°F</b>					
	30°F	64.2	4.41	.18	87.1°F					
VS-144L	10°F	95.4	19.66	2.92	97.3°F	1/6	1100	2360	1080	III
	<b>20°F</b>	<b>85.5</b>	<b>8.81</b>	<b>.65</b>	<b>93.4°F</b>					
	30°F	75.6	5.20	.24	89.5°F					

\*\* Performance based on 200°F EWT, 20°F TD, 60°F EAT. Performance at 10°F & 30°F TD is also shown.

For capacities at other conditions, use the correction multipliers in the tables on page 22.

\* Speed controller option is required for reduced ratings.

† Motor HP listed is applicable to standard motor type only. For explosion proof motor HP, see unit installation manual.

# Vertical Unit Heaters

## Hot Water Performance Data\*\* – Table 21

### LOW OUTPUT UNITS STANDARD VERTICAL UNITS WITH ALL AIR PORTS OPEN

Model/ Unit Size	Water Temp Drop	Output MBH	GPM	H <sub>2</sub> O Pressure Drop	Final Air Temp	Motor HP †	Motor RPM	Nominal CFM	Outlet Velocity	Sound Rating
VS-164L	10°F	112.3	23.15	2.70	95.4°F	1/6	1100	2920	1340	IV
	<b>20°F</b>	<b>100.7</b>	<b>10.38</b>	<b>.60</b>	<b>91.8°F</b>					
	30°F	89.2	6.13	.22	88.1°F					
VS-200L	10°F	135.8	27.98	3.85	96.9°F	1/4	1100	3390	1560	III
	<b>20°F</b>	<b>121.8</b>	<b>12.52</b>	<b>.85</b>	<b>93.0°F</b>					
	30°F	107.3	7.37	.32	89.2°F					
VS-237L	10°F	168.5	34.72	6.75	94.5°F	1/4	1100	4507	1270	IV
	<b>20°F</b>	<b>153.8</b>	<b>15.85</b>	<b>1.56</b>	<b>91.4°F</b>					
	30°F	139.1	9.56	.61	88.4°F					
VS-285L	10°F	188.9	25.95	3.92	94.5°F	1/2	1100	5040	1420	IV
	<b>20°F</b>	<b>180.1</b>	<b>18.56</b>	<b>2.10</b>	<b>92.9°F</b>					
	30°F	162.7	11.18	.82	89.7°F					
VS-317L	10°F	220.9	30.35	5.26	95.7°F	3/4	1140	5700	1610	IV
	<b>20°F</b>	<b>210.6</b>	<b>21.70</b>	<b>2.81</b>	<b>94.1°F</b>					
	30°F	189.9	13.05	1.09	90.7°F					
VS-367L	10°F	260.7	35.82	5.24	96.4°F	3/4	1140	6600	1870	IV
	<b>20°F</b>	<b>248.5</b>	<b>25.61</b>	<b>2.80</b>	<b>94.7°F</b>					
	30°F	224.2	15.40	1.09	91.3°F					
VS-495L	10°F	—	—	—	—	1-1/2	1160	9380	1860	IV
	<b>20°F</b>	<b>310.5</b>	<b>32.00</b>	<b>4.23</b>	<b>90.5°F</b>					
	30°F	281.7	19.35	1.67	87.7°F					
VS-585L	10°F	394.4	54.19	6.83	95.3°F	1-1/2	1160	10,300	2060	IV
	<b>20°F</b>	<b>377.0</b>	<b>38.85</b>	<b>3.68</b>	<b>93.7°F</b>					
	30°F	342.2	23.51	1.45	90.6°F					
VS-700L	10°F	—	—	—	—	3	1165	11,900	2380	IV
	<b>20°F</b>	<b>453.7</b>	<b>46.76</b>	<b>4.11</b>	<b>95.1°F</b>					
	30°F	411.7	28.28	1.62	91.9°F					

\*\* Performance based on 200°F EWT, 20°F TD, 60°F EAT. Performance at 10°F & 30°F TD is also shown.

For capacities at other conditions, use the correction multipliers in the tables on page 22.

† Motor HP listed is applicable to standard motor type only. For explosion proof motor HP, see unit installation manual.

# Vertical Unit Heaters Hot Water Calculations and Correction Factors

**EXAMPLE: –**

UNIT SIZE: \_\_\_\_\_ 40  
 Entering Water Temp. \_\_\_\_\_ 160°F  
 Entering Air Temp. \_\_\_\_\_ 40°F  
 Water Temperature Drop \_\_\_\_\_ 10°F

<b>I. CAPACITY @ 20°F TD:</b> A. For 200°F EWT, 60°F EAT	Read output directly from Tables 18 - 21, 22,700 BTU/HR (Ref., Std. Unit Size 40, p. 18)	
B. For EWT and/or EAT above or below Standard	Multiply output from Tables 18 - 21 by factor from Table 22 (below)	22,700 x .878 = 19,931 BTU/HR
<b>II. CAPACITY AT OTHER TD's</b> A. For TD's from 5 to 60°F	Multiply output obtained in IA or IB (above) by appropriate factor from Table 23 (below)	IA - 22,700 x 1.15 = 26,105 BTU/HR – OR – IB - 19,931 x 1.15 = 22,921 BTU/HR
<b>III. GPM AT OTHER TD's</b> A. For TD's from 5 to 60°F	Multiply GPM of unit for 20°F TD, from Table 18 by appropriate factor from Table 23 (below)	2.34 x 2.30 = 5.38 GPM (Applies only to units with Std 200°F EWT, 60°F EAT) For all others calculate using formula – $GPM = \frac{BTU}{500 \times TD}$
<b>IV. PRESSURE LOSS AT OTHER TD's</b> A. For TD's from 5 to 60°F	Multiply PD of unit for 20°F TD, from Tables 18 - 21 by appropriate factor from Table 23 (below)	.06 x 5.00 = .30 Ft. H <sub>2</sub> O

**Table 22 — HOT WATER CONVERSION FACTORS BASED ON 200°F ENTERING WATER 60°F ENTERING AIR 20°F TEMPERATURE DROP**

ENTERING AIR TEMPERATURE	ENTERING WATER TEMPERATURE — 20°F WATER TEMPERATURE DROP										
	100°F	120°F	140°F	160°F	180°F	200°F	220°F	240°F	260°F	280°F	300°F
30°F	0.518	0.666	0.814	0.963	1.120	1.268	1.408	1.555	1.702	1.850	1.997
40°F	0.439	0.585	0.731	0.878	1.025	1.172	1.317	1.464	1.609	1.755	1.908
50°F	0.361	0.506	0.651	0.796	0.941	1.085	1.231	1.375	1.518	1.663	1.824
60°F	0.286	0.429	0.571	0.715	0.857	1.000	1.143	1.286	1.429	1.571	1.717
70°F	0.212	0.353	0.494	0.636	0.777	0.918	1.060	1.201	1.342	1.483	1.630
80°F	0.140	0.279	0.419	0.558	0.698	0.837	0.977	1.117	1.257	1.397	1.545
90°F	0.069	0.207	0.345	0.483	0.621	0.759	0.897	1.035	1.173	1.311	1.462
100°F	0	0.137	0.273	0.409	0.546	0.682	0.818	0.955	1.094	1.230	1.371

To obtain the BTU capacity for conditions other than those in the basic capacity tables, multiply the basic rating (200°F entering water, 60°F entering air) by the proper constant from the above tables.

**Table 23 — HOT WATER BTU, GPM AND PRESSURE LOSS FACTORS BASED ON STANDARD CONDITIONS OF 200°F ENTERING WATER 60°F ENTERING AIR & 20°F WATER DROP**

USE FACTORS FROM THIS TABLE TO OBTAIN APPROXIMATE RESULTS	TEMPERATURE DROP									
	5°F	10°F	15°F	20°F	25°F	30°F	40°F	50°F	60°F	
To obtain BTU for other Water Temperature Drops, multiply basic BTU rating by applicable Factor.	1.25	1.15	1.08	1.00	.94	.90	.83	.76	.72	
To obtain GPM for other Water Temperature Drops, multiply basic GPM rating by applicable Factor.*	5.00	2.30	1.44	1.00	.74	.59	.40	.30	.24	
To obtain Pressure Loss Feet of Water for other temperature Drops, multiply Basic loss at 20°F drop by Factor.	10.00	5.00	2.00	1.00	.60	.40	.20	.13	.07	

**Table 24 — MINIMUM WATER FLOW — GPM**

UNIT SIZE	40	62	77	104	144	164	200	237	317	367
MIN. GPM	.55	.55	.55	.55	.82	.82	1.10	1.10	1.10	1.10

**\*Table 25 — HEATING CAPACITY FACTORS FOR VARIOUS RATES OF WATER FLOW**

% of Rated Water Flow	25%	50%	75%	100%	125%	150%	175%
BTU/HR Heating Capacity	.80	.89	.96	1.00	1.04	1.07	1.10

# Vertical Unit Heaters Dimensional Data

Figure 6

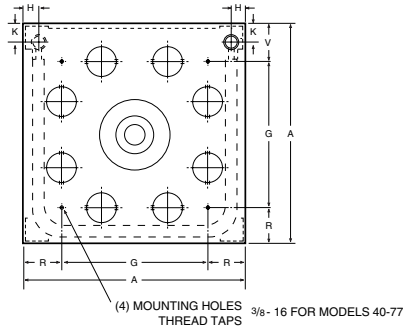


Figure 7

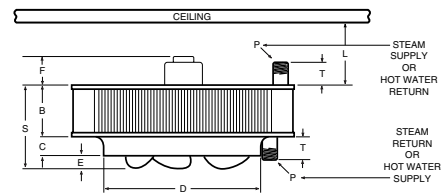
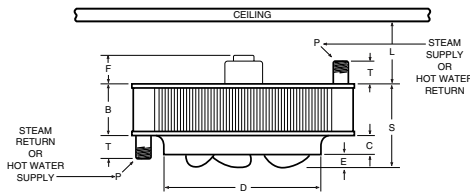
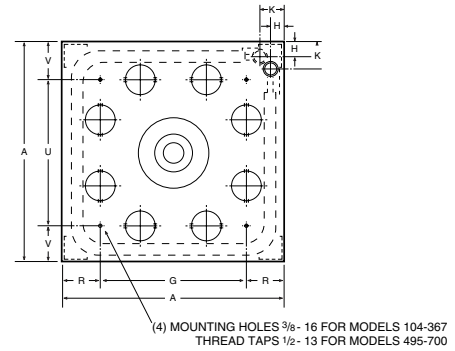


Table 25 - FIGURE 6 — ROUGHING IN DIMENSIONAL DATA – MODEL SIZE 40-77

Unit Capacity (MBH)	Fan Dia. inches (mm)	A inches (mm)	B inches (mm)	C inches (mm)	D inches (mm)	E inches (mm)	F inches (mm)	G inches (mm)	H inches (mm)	K inches (mm)	L Min inches (mm)	P NPT inches (mm)	R inches (mm)	S inches (mm)	T inches (mm)	U inches (mm)	V inches (mm)	Approx. Ship Wt. lbs (kg)
40	11-1/4 (286)	18-1/4 (464)	4-5/8 (117)	1-1/4 (32)	11-3/4 (298)	3/4 (19)	4 (102)	11 (279)	1-3/8 (35)	1-7/8 (48)	7 (178)	1-1/2 (38)	3-5/8 (92)	6-5/8 (168)	2-3/4 (70)	11 (279)	3-5/8 (92)	32 (15)
62	13-1/2 (343)	21-1/4 (540)	4-5/8 (117)	1-5/8 (41)	14 (356)	1 (25)	4 (102)	14 (356)	1-3/8 (35)	1-7/8 (48)	7 (178)	1-1/2 (38)	3-5/8 (92)	7-1/8 (181)	2-3/4 (70)	14 (356)	3-5/8 (92)	40 (18)
77	13-1/2 (343)	21-1/4 (540)	6-1/8 (156)	1-5/8 (41)	14 (356)	1 (25)	3 (76)	14 (356)	1-3/8 (35)	1-7/8 (48)	7 (178)	1-1/2 (38)	3-5/8 (92)	8-5/8 (219)	2-3/4 (70)	14 (356)	3-5/8 (92)	43 (20)

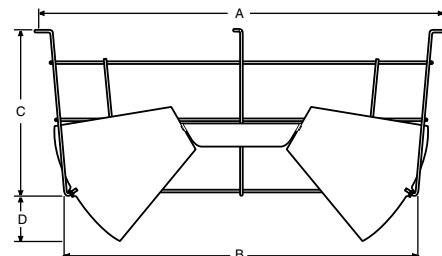
Table 26 - FIGURE 7 — ROUGHING IN DIMENSIONAL DATA – MODEL SIZE 104-700

Unit Capacity (MBH)	Fan Dia. inches (mm)	A inches (mm)	B inches (mm)	C inches (mm)	D inches (mm)	E inches (mm)	F inches (mm)	G inches (mm)	H inches (mm)	K inches (mm)	L Min inches (mm)	P NPT inches (mm)	R inches (mm)	S inches (mm)	T inches (mm)	U inches (mm)	V inches (mm)	Approx. Ship Wt. lbs (kg)
104	16-3/4 (425)	25-1/4 (641)	6-1/8 (156)	2 (51)	17-1/2 (445)	1-1/8 (29)	3 (76)	17 (432)	1-3/8 (35)	2-3/4 (70)	7 (178)	1-1/2 (38)	4-1/8 (105)	9-1/8 (232)	2-3/4 (70)	17 (432)	4-1/8 (105)	63 (29)
125	16-3/4 (425)	25-1/4 (641)	6-1/8 (156)	2 (51)	17-1/2 (445)	1-3/4 (44)	3 (76)	17 (432)	1-3/8 (35)	2-3/4 (70)	7 (178)	1-1/2 (38)	4-1/8 (105)	9-3/4 (248)	2-3/4 (70)	17 (432)	4-1/8 (105)	64 (29)
144	19-3/4 (502)	29-1/2 (749)	6-1/8 (156)	2-3/8 (60)	20-5/8 (524)	1-1/4 (32)	4 (102)	20-1/2 (521)	1-3/4 (44)	3-1/2 (89)	7 (178)	2 (51)	4-1/2 (114)	9-5/8 (244)	2-3/4 (70)	20-1/2 (521)	4-1/2 (114)	80 (36)
164	19-3/4 (502)	29-1/2 (749)	6-1/8 (156)	2-3/8 (60)	20-5/8 (524)	1-3/4 (44)	4 (102)	20-1/2 (521)	1-3/4 (44)	3-1/2 (89)	7 (178)	2 (51)	4-1/2 (114)	10-1/8 (257)	2-3/4 (70)	20-1/2 (521)	4-1/2 (114)	80 (36)
200	19-3/4 (502)	29-1/2 (749)	7-5/8 (194)	2-3/8 (60)	20-5/8 (524)	2 (51)	4 (102)	20-1/2 (521)	1-3/4 (44)	3-1/2 (89)	7 (178)	2 (51)	4-1/2 (114)	12 (305)	2-3/4 (70)	20-1/2 (521)	4-1/2 (114)	86 (39)
237	25-1/4 (641)	37-1/2 (953)	7-5/8 (194)	3 (76)	26-3/8 (670)	1 (25)	3-1/2 (89)	28 (711)	1-3/4 (44)	3-1/2 (89)	7 (178)	2 (51)	4-3/4 (121)	11-5/8 (295)	2-3/4 (70)	18 (457)	9-3/4 (248)	134 (61)
285	25-1/4 (641)	37-1/2 (953)	7-5/8 (194)	3 (76)	26-3/8 (670)	1-1/4 (32)	3-1/2 (89)	28 (711)	1-3/4 (44)	3-1/2 (89)	7 (178)	2 (51)	4-3/4 (121)	11-3/4 (298)	2-3/4 (70)	18 (457)	9-3/4 (248)	139 (63)
317	25-1/4 (641)	37-1/2 (953)	7-5/8 (194)	3 (76)	26-3/8 (670)	2-1/8 (54)	4 (102)	28 (711)	1-3/4 (44)	3-1/2 (89)	7 (178)	2 (51)	4-3/4 (121)	12-3/4 (324)	2-3/4 (70)	18 (457)	9-3/4 (248)	139 (63)
367	25-1/4 (641)	37-1/2 (953)	9-1/8 (232)	3 (76)	26-3/8 (670)	2 (51)	3-1/2 (89)	28 (711)	1-3/4 (44)	3-1/2 (89)	7 (178)	2 (51)	4-3/4 (121)	14-1/8 (359)	2-3/4 (70)	18 (457)	9-3/4 (248)	146 (66)
495	30-1/2 (775)	42 (1067)	9-1/8 (232)	3-1/2 (89)	31-1/4 (794)	1-5/8 (41)	3 (76)	30 (762)	2-1/4 (57)	4-1/4 (108)	7 (178)	2-1/2 (64)	6 (152)	14-1/4 (362)	3 (76)	30 (762)	6 (152)	294 (133)
585	30-1/2 (775)	42 (1067)	12-1/8 (308)	3-1/2 (89)	31-1/4 (794)	2-1/8 (54)	3 (76)	30 (762)	2-1/4 (57)	4-1/4 (108)	7 (178)	2-1/2 (64)	6 (152)	17-3/4 (451)	3 (76)	30 (762)	6 (152)	307 (139)
700	30-1/2 (775)	42 (1067)	13-5/8 (346)	3-1/2 (89)	31-1/4 (794)	3 (76)	4 (102)	30 (762)	2-1/4 (57)	4-1/4 (108)	7 (178)	2-1/2 (64)	6 (152)	20-1/4 (514)	3 (76)	30 (762)	6 (152)	366 (166)

Table 27 - FIGURE 8  
LOUVER CONE DIFFUSER ROUGHING-IN DIMENSIONS

Unit Size	A	B	C	D	Number of Louvers
40	16 <sup>1</sup> / <sub>2</sub>	14 <sup>1</sup> / <sub>4</sub>	6 <sup>1</sup> / <sub>2</sub>	2 <sup>5</sup> / <sub>8</sub>	8
62 & 77	20	17	8	3 <sup>1</sup> / <sub>8</sub>	8
104 & 125	24 <sup>1</sup> / <sub>4</sub>	21	9 <sup>3</sup> / <sub>4</sub>	3 <sup>15</sup> / <sub>16</sub>	8
144, 164 & 200	28 <sup>3</sup> / <sub>8</sub>	24 <sup>3</sup> / <sub>4</sub>	11 <sup>1</sup> / <sub>2</sub>	4 <sup>5</sup> / <sub>8</sub>	8
237, 285, 317 & 367	35 <sup>1</sup> / <sub>2</sub>	31 <sup>1</sup> / <sub>2</sub>	13 <sup>3</sup> / <sub>4</sub>	4	12
495, 585, 700	41 <sup>1</sup> / <sub>2</sub>	37 <sup>1</sup> / <sub>4</sub>	17	4 <sup>3</sup> / <sub>4</sub>	12

Figure 8



# Vertical Unit Heaters Mounting Heights & Throws, Technical Data – Table 28

## MAXIMUM MOUNTING HEIGHT IN FEET FOR VERTICAL UNIT HEATERS WITH AND WITHOUT LOUVER CONE DIFFUSER

Unit Size	Steam Pressure (PSI)					UNIT SIZE	STEAM PRESSURE (PSI)				
	2	5	10	50	75		2	5	10	50	75
40	10.5	10.0	10.0	9.0	8.0	144L	18.0	17.5	17.5	15.0	14.0
	<b>12.5</b>	<b>12.0</b>	<b>12.0</b>	<b>11.0</b>	<b>10.0</b>		<b>22.5</b>	<b>22.0</b>	<b>21.5</b>	<b>18.5</b>	<b>18.0</b>
40*	8.0	8.0	8.0	8.0	8.0	164	18.0	17.5	17.0	14.5	14.0
	<b>9.0</b>	<b>8.5</b>	<b>8.5</b>	<b>8.0</b>	<b>8.0</b>		<b>22.5</b>	<b>22.0</b>	<b>21.5</b>	<b>19.0</b>	<b>18.0</b>
40L	12.5	12.0	12.0	10.5	9.5	164L	22.0	21.5	21.0	18.5	17.5
	<b>14.5</b>	<b>14.0</b>	<b>13.5</b>	<b>12.0</b>	<b>11.5</b>		<b>27.5</b>	<b>27.0</b>	<b>26.5</b>	<b>23.5</b>	<b>22.5</b>
40L*	9.0	8.5	8.5	8.0	8.0	200	22.0	21.5	21.0	18.5	17.5
	<b>10.5</b>	<b>10.0</b>	<b>10.0</b>	<b>9.0</b>	<b>8.5</b>		<b>27.5</b>	<b>27.0</b>	<b>26.5</b>	<b>24.0</b>	<b>23.0</b>
62	12.0	11.5	11.5	10.0	9.5	200L	25.5	25.0	24.5	22.0	21.0
	<b>14.5</b>	<b>14.0</b>	<b>14.0</b>	<b>12.0</b>	<b>11.5</b>		<b>31.5</b>	<b>31.0</b>	<b>30.5</b>	<b>27.0</b>	<b>26.0</b>
62*	9.5	9.0	9.0	8.0	8.0	237	20.0	19.5	19.0	17.0	16.0
	<b>11.5</b>	<b>11.0</b>	<b>11.0</b>	<b>9.5</b>	<b>9.0</b>		<b>25.0</b>	<b>24.0</b>	<b>23.5</b>	<b>20.5</b>	<b>19.5</b>
62L	15.0	14.5	14.5	12.5	12.0	237L	24.0	23.5	23.0	20.0	19.0
	<b>19.0</b>	<b>18.5</b>	<b>18.5</b>	<b>16.5</b>	<b>16.0</b>		<b>29.5</b>	<b>28.5</b>	<b>28.0</b>	<b>24.5</b>	<b>23.5</b>
62L*	11.5	11.0	11.0	9.5	8.0	285	21.0	20.5	20.0	17.5	17.0
	<b>14.0</b>	<b>13.5</b>	<b>13.5</b>	<b>12.0</b>	<b>11.5</b>		<b>26.0</b>	<b>25.5</b>	<b>25.0</b>	<b>22.0</b>	<b>21.0</b>
77	15.0	14.5	14.0	12.0	11.5	285L	25.5	25.0	24.5	21.0	20.0
	<b>18.5</b>	<b>18.0</b>	<b>17.5</b>	<b>15.5</b>	<b>13.5</b>		<b>32.0</b>	<b>31.0</b>	<b>30.0</b>	<b>26.0</b>	<b>25.0</b>
77*	11.0	10.5	10.5	9.0	8.5	317	24.0	23.0	22.0	20.0	19.0
	<b>13.5</b>	<b>13.0</b>	<b>13.0</b>	<b>11.5</b>	<b>11.0</b>		<b>30.0</b>	<b>29.0</b>	<b>28.0</b>	<b>25.0</b>	<b>24.0</b>
77L	18.0	17.5	17.5	15.0	14.0	317L	29.0	28.5	28.0	25.0	24.0
	<b>22.0</b>	<b>21.0</b>	<b>21.0</b>	<b>19.0</b>	<b>18.0</b>		<b>36.0</b>	<b>35.0</b>	<b>34.0</b>	<b>30.0</b>	<b>29.0</b>
77L*	13.0	12.5	12.0	11.0	10.5	367	28.5	28.0	27.5	24.0	23.0
	<b>17.0</b>	<b>16.5</b>	<b>16.0</b>	<b>14.0</b>	<b>13.5</b>		<b>35.5</b>	<b>35.0</b>	<b>34.0</b>	<b>30.0</b>	<b>29.0</b>
104	14.0	13.5	13.0	11.5	11.0	367L	32.5	31.5	30.5	27.5	26.5
	<b>17.0</b>	<b>16.5</b>	<b>16.0</b>	<b>14.0</b>	<b>13.5</b>		<b>41.0</b>	<b>40.0</b>	<b>39.0</b>	<b>35.0</b>	<b>33.5</b>
104*	11.0	10.5	10.5	9.5	9.0	495	29.5	29.0	28.5	25.0	24.0
	<b>13.5</b>	<b>13.0</b>	<b>13.0</b>	<b>12.0</b>	<b>11.5</b>		<b>36.5</b>	<b>36.0</b>	<b>35.5</b>	<b>32.0</b>	<b>30.5</b>
104L	17.5	17.0	16.5	15.0	14.5	495L	35.0	34.0	33.0	29.0	28.0
	<b>21.5</b>	<b>21.0</b>	<b>20.5</b>	<b>18.5</b>	<b>17.5</b>		<b>43.5</b>	<b>42.5</b>	<b>41.5</b>	<b>35.0</b>	<b>34.0</b>
104L*	15.0	14.5	14.5	13.0	12.5	585	34.0	33.0	32.0	28.0	27.0
	<b>18.5</b>	<b>18.0</b>	<b>18.0</b>	<b>16.0</b>	<b>15.0</b>		<b>42.5</b>	<b>41.5</b>	<b>40.5</b>	<b>36.0</b>	<b>34.5</b>
125	16.0	15.5	15.5	14.0	13.5	585L	37.0	36.0	35.0	31.0	30.0
	<b>19.5</b>	<b>19.0</b>	<b>18.5</b>	<b>17.0</b>	<b>16.0</b>		<b>46.5</b>	<b>45.5</b>	<b>44.5</b>	<b>39.0</b>	<b>37.0</b>
125L	21.0	20.5	20.0	17.5	17.0	700	38.5	37.5	36.5	32.0	30.5
	<b>26.0</b>	<b>25.5</b>	<b>25.0</b>	<b>22.5</b>	<b>21.5</b>		<b>48.0</b>	<b>47.0</b>	<b>46.0</b>	<b>40.0</b>	<b>39.0</b>
144	15.5	15.0	14.5	13.0	12.0	700L	42.5	41.5	40.5	35.0	33.5
	<b>19.0</b>	<b>18.5</b>	<b>18.0</b>	<b>16.0</b>	<b>15.5</b>		<b>53.0</b>	<b>52.0</b>	<b>51.0</b>	<b>44.0</b>	<b>42.0</b>

### NOTES:

\* = Low Speed

L = Vertical low output model with all air ports open

Figures in bold face show maximum mounting height with louver cone diffusers set vertically.

To meet ETL and OSHA requirements, units mounted below 8 feet from floor must be equipped with an OSHA fan guard. Please see page 28 for ordering information.

Above table based on 60°F entering air temperature. In providing for the use of diffusers, it must be remembered that adjustment of a LCD to deflect air toward horizontal immediately lowers the mounting height limit.

### Mounting Height Correction Factors

Water Temperature	°F	150	160	170	180	190	200
	(°C)	(66)	(71)	(77)	(82)	(88)	(93)
Steam Pressure	PSI	—	—	—	—	—	—
	(kPa)	—	—	—	—	—	—
Correction Factor		1.32	1.27	1.23	1.18	1.14	1.09

Water Temperature	°F	210	219	227	239	250	259
	(°C)	(99)	(104)	(108)	(115)	(121)	(126)
Steam Pressure	PSI	—	2	5	10	15	20
	(kPa)	—	(13.8)	(34.5)	(68.9)	(103.4)	(137.9)
Correction Factor		1.05	1.00	0.97	0.94	0.89	0.86

Water Temperature	°F	267	280	287	298	307	320
	(°C)	(131)	(138)	(142)	(148)	(153)	(160)
Steam Pressure	PSI	25	35	40	50	60	75
	(kPa)	(172.4)	(241.3)	(275.8)	(344.7)	(413.6)	(517.1)
Correction Factor		0.83	0.80	0.76	0.73	0.70	0.69

### MAXIMUM SPREAD IN FEET

Unit Size:	40	62	77	104	125	144	164	200	237	285	317	367	495	585	700
Spread (Ft.)	15	17	20	24	26	27	28	32	35	37	45	50	54	57	60

NOTE: The “spread” is the diameter of the comfort zone at floor level. Projected by the vertical unit without the louver cone diffuser. Based on two pounds steam pressure and 60°F entering air.

### TECHNICAL DATA

**Propylene Glycol**, when sizing equipment for systems that will utilize a Propylene Glycol solution consider the factors shown on page 8.



# Vertical Unit Heaters Motor Characteristics

**Table 29 - TOTALLY ENCLOSED MOTOR TYPE**

Unit Size	AMP	MCA	MOP	HP	RPM
<b>115/1/60 [SV=1]</b>					
40	1.23**	1.6	2.8	1/40*	1550
62	2.1**	2.6	4.7	1/20*	1550
77					
104	1.2**	1.5	2.7	1/8*	1070
125	2.3**	2.9	5.2	1/6	1100
144					
164					
200	3.6**	4.5	8.1	1/4	1100
237	3.6**	4.5	8.1	1/4	1100
285	5.4**	6.8	12.2	1/2	1100
<b>208-230/460/3/60 [SV=4, 5 OR 6]</b>					
40	0.98-1.1/0.55†	1.2-1.4/0.7	2.2-2.5/1.2	1/6	1140
62	0.98-1.1/0.55†	1.2-1.4/0.7	2.2-2.5/1.2	1/6	1140
77					
104	0.98-1.1/0.55†	1.2-1.4/0.7	2.2-2.5/1.2	1/6	1140
125	0.98-1.1/0.55†	1.2-1.4/0.7	2.2-2.5/1.2	1/6	1140
144					
164					
200	1.2-1.4/0.7†	1.5-1.8/0.9	2.7-3.2/1.6	1/4	1140
237	1.2-1.4/0.7†	1.5-1.8/0.9	2.7-3.2/1.6	1/4	1140
285	1.8-2.0/1.0†	2.3-2.5/1.3	4.1-4.5/2.3	1/2	1140
317	3.1-3.2/1.6†	3.9-4.0/2.0	7.0-7.2/3.6	3/4	1140
367					
495	5.0-4.4/2.2†	6.3-5.5/2.8	11.9-11.3/5.6	1-1/2	1160
585					
700	9.6-8.2/4.1†	12.0-10.3/5.1	22.3-22.1/11.0	3	1165
<b>575/3/60 [SV=7]</b>					
40	0.6†	0.8	1.4	1/3	1140
62					
77					
104					
125					
144					
164					
200					
237	0.8†	1.0	1.8	1/2	1140
285					
317	1.3†	1.6	2.9	3/4	1140
367					
495	2.0†	2.5	4.5	1-1/2	1160
585					
700	3.8†	4.7	8.4	3	1165

NOTE 1: All motors are constant speed and operate at top speed as indicated in motor data. Models through 1/8 HP can be run at reduced speed with addition of optional variable speed switch. This switch is factory-calibrated for low and high speed ratings, with intermediate speeds infinitely controllable. Sizes 164 through 700 operate at constant speed as indicated in motor data.

NOTE 2: Stated draw is full load amps (FLA). AMP draw varies by motor manufacturer ± .2 AMPS.

**Table 30 - EXPLOSION PROOF WITH THERMAL OVERLOAD MOTOR TYPE**

Unit Size	AMP	MCA	MOP	HP	RPM
<b>115/1/60 [SV=1]</b>					
40	3.8**	4.8	8.6	1/6	1140
62	3.8**	4.8	8.6	1/6	1140
77					
104	3.8**	4.8	8.6	1/6	1140
125	3.8**	4.8	8.6	1/6	1140
144					
164					
200	4.4**	5.5	9.9	1/4	1140
237	4.4**	5.5	9.9	1/4	1140
285	7.8**	9.8	17.6	1/2	1140
<b>208-230/460/3/60 [SV=4, 5 OR 6]</b>					
40	1.0-1.0/0.5**	1.3-1.3/0.6	2.3-2.3/1.1	1/6	1140
62	1.0-1.0/0.5**	1.3-1.3/0.6	2.3-2.3/1.1	1/6	1140
77					
104	1.0-1.0/0.5**	1.3-1.3/0.6	2.3-2.3/1.1	1/6	1140
125	1.0-1.0/0.5**	1.3-1.3/0.6	2.3-2.3/1.1	1/6	1140
144					
164					
200	1.1-1.1/0.55**	1.4-1.4/0.7	2.5-2.5/1.2	1/4	1140
237	1.1-1.1/0.55**	1.4-1.4/0.7	2.5-2.5/1.2	1/4	1140
285	1.9/0.95** ‡	2.4/1.2	4.3/2.1	1/2	1140
317	3.1-3.2/1.6**	3.9-4.0/2.0	7.0-7.2/3.6	3/4	1145
367					
495	5.0/2.5** ‡	6.5/3.3	11.7/5.9	1-1/2	1150
585					
700	10.0/5.0 † ‡	12.5/6.3	22.5/11.3	3	1150

\* Optional variable speed switch is available.

\*\* These motors have automatic thermal overload protection or impedance protection.

† These motors are without thermal overload protection. Motors without thermal overload protection must be installed with the optional manual starter or other field provided overload protection.

‡ These motors are 230/460 volts only.

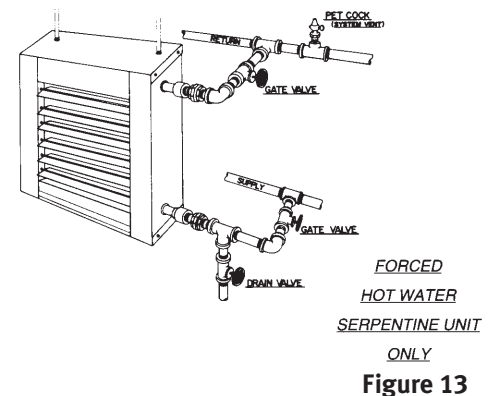
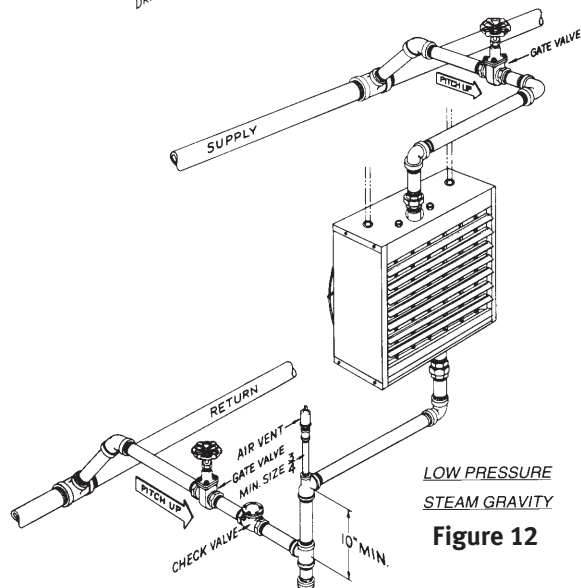
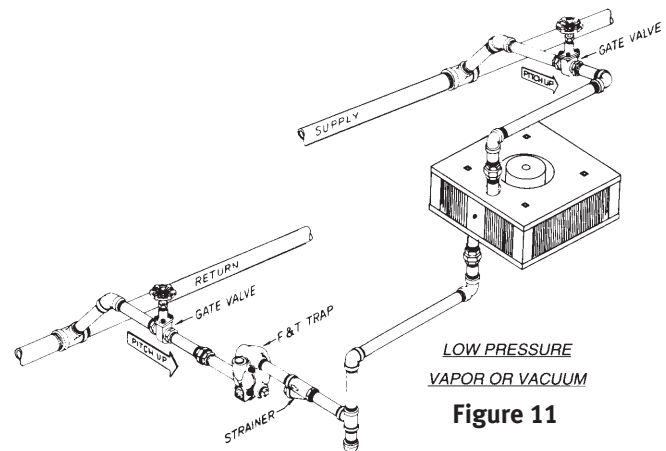
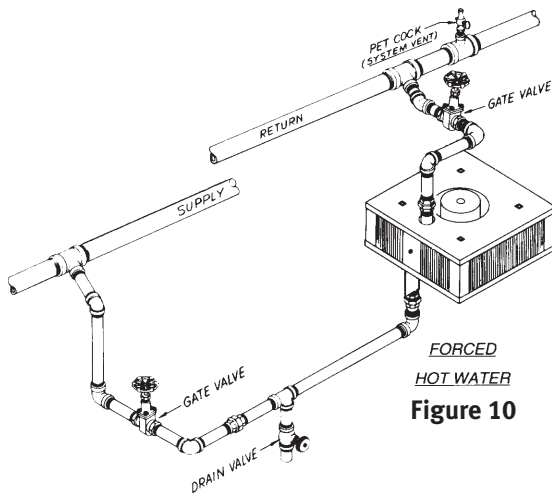
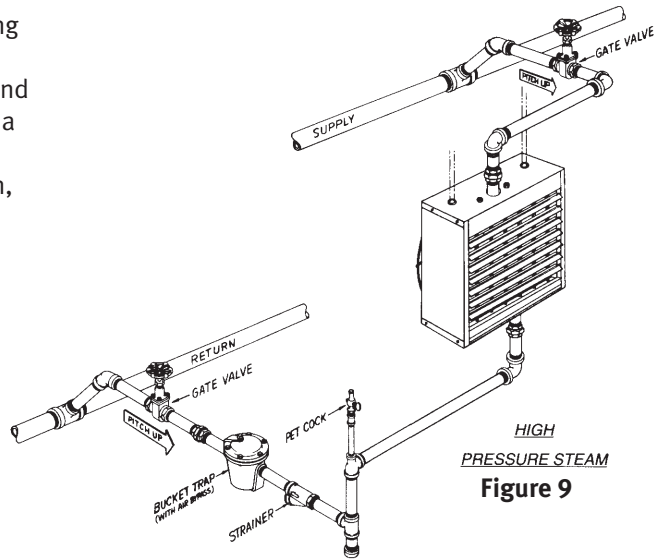
NOTE 3: Models 317 through 700 are not available for either Totally Enclosed or Explosion Proof with Overload 115/1/60 motor types.

**CAUTION: Select appropriate AMP, MCA, and MOP for the multiple voltage motors. For example, the AMP, MCA, and MOP for Model 40 with a 230 volt Totally Enclosed motor is 1.1, 1.4, and 2.5 respectively.**

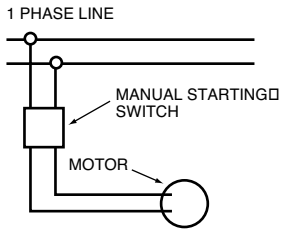
# Horizontal and Vertical Unit Heater Piping and Installation

The illustrations below depict different typical piping configurations. Proper selection should be based on the operational characteristics of the source supply. For selection and sizing of piping, traps, filters and other piping specialties, ASHRAE guides and specialty manufacturer's literature should be consulted. We assume that the type and total design of systems has been selected or approved by a qualified engineer. The installation and service manual should be consulted for further information on installation, operation, drainage and system cleaning.

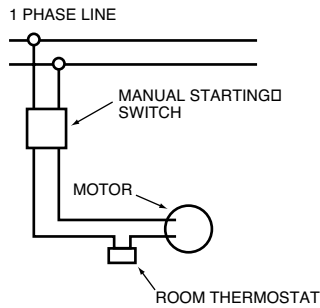
Piping and installation is typical for both horizontal and vertical unit heaters – except side connections Figure 13.



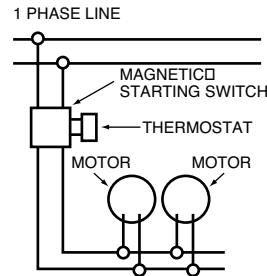
# Wiring Diagrams — Figure 14



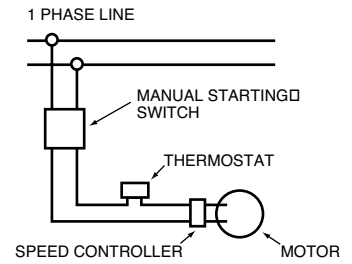
**MANUAL CONTROL WITH SINGLE PHASE MOTOR**



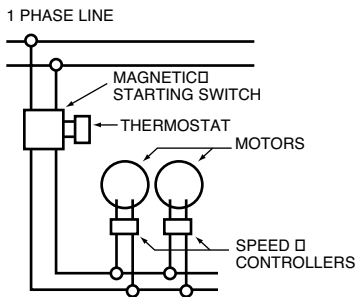
**THERMOSTATIC CONTROL WITH MANUAL STARTER**



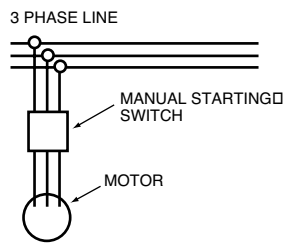
**THERMOSTATIC CONTROL USING MAGNETIC STARTER OPERATING SEVERAL UNITS**



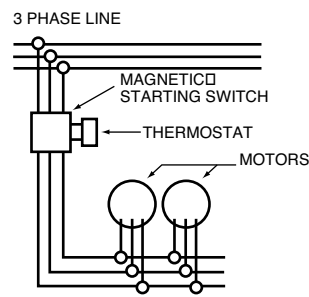
**SPEED CONTROLLER WITH MANUAL STARTING SWITCH**



**SPEED CONTROLLERS WITH MAGNETIC STARTING SWITCH FOR OPERATING SEVERAL UNITS**



**MANUAL CONTROL WITH THREE PHASE MOTOR**



**THERMOSTATIC CONTROL OF SEVERAL THREE PHASE UNITS**

1. For internal wiring and overload protection on all starters, consult the control manufacturer for details.

2. When using thermostatic control with a manual starter, be sure that the electrical rating of the thermostat is sufficient to carry the motor current.

3. Refer to pages 13 and 25 for motor characteristics of individual unit heaters.

## Warranty

### STEAM/HOT WATER UNIT HEATER WARRANTY

The products in this catalog are warranted by the manufacturer to be free from defects in material and workmanship for a period of one (1) year from the date of shipment from the manufacturer's plant. The manufacturer's liability under this warranty is limited to replacing or repairing at our option, F.O.B. our plant any defective component or assembly returned to our factory prepaid and with proper return authorization documents. All repairs or replacements are made subject to factory inspection. No liability is accepted for consequential damages, freight or labor charges.

This warranty does not cover damages or failure due to improper installation or piping, corrosive atmospheric conditions, misuse or negligence by others.

### TERMS OF SALE

- No obligation is assumed by this corporation to sell to anyone holding this book any of the items listed herein.
- An order is not a valid order until acknowledged by the manufacturer.
- The manufacturer reserves the right to make changes in design, material or accessory vendors without notice and without obligation to incorporate such changes in products of prior manufacture.
- Additional sales and freight terms are contained in the price list.

# Horizontal Hydronic Unit Heaters Model Number Description

Digit	H	X	X	X	—	1	2	3	4	5	6	7	8	9	†
Item	Prefix					UT	CT		CA	SV	MT	AS			

(Internal use Only)

## 1, 2 - Unit Type [UT]

HS - Horizontal

## 3 - Coil Type [CT]

A - Serpentine  
B - Standard (Header Type)

## 4, 5, 6 - Capacity [CA]

Coil Type [A] Serpentine\*

108 - 8,030 BTU/HR      125 - 24,800 BTU/HR  
118 - 18,400 BTU/HR      136 - 35,900 BTU/HR

\*Based on 200°F EWT, 60°F EAT, 20°F TD

Coil Type [B] Standard\*\*

018 - 18,000 BTU/HR	096 - 96,000 BTU/HR	204 - 204,000 BTU/HR
024 - 24,000 BTU/HR	108 - 108,000 BTU/HR	240 - 240,000 BTU/HR
036 - 36,000 BTU/HR	120 - 120,000 BTU/HR	280 - 280,000 BTU/HR
048 - 48,000 BTU/HR	132 - 132,000 BTU/HR	300 - 300,000 BTU/HR
060 - 60,000 BTU/HR	144 - 144,000 BTU/HR	360 - 360,000 BTU/HR
072 - 72,000 BTU/HR	156 - 156,000 BTU/HR	
084 - 84,000 BTU/HR	180 - 180,000 BTU/HR	

\*\*Based on 2 psi steam

## 7 - Supply Voltage [SV]

1 - 115/1/60      5 - 230/3/60  
3 - 230/1/60      6 - 460/3/60  
4 - 208/3/60      Z - Other

## 8 - Motor Type [MT]

1 - Standard Motor  
2 - Explosion Proof

## 9 - Accessories [AS]

All Field Installed Accessories are to be entered as a separate line item using the catalog number which utilizes "AS" as a prefix. i.e: G6 becomes AS-G6.

### FACTORY INSTALLED

M6 - OSHA Fan Guard\*\*\*  
(1 Phase Motors Only)  
M9 - Standard Fan Guard  
(3 Phase or Explosion Proof Motors Only)  
\*\*\* OSHA Fan Guard Standard on sizes 108A through 136A and 18 through 48 (with 1 Phase Standard Motors Only)

V1 - Phenolic Coating (Air Dried)  
V2 - Phenolic Coating (Baked)  
V5 - Phenolic Coating (Air Dried)  
Optional Vertical Louvers  
V6 - Phenolic Coating (Baked)  
Optional Vertical Louvers

### FIELD INSTALLED (AS-\_\_\_\_)

G0 - Locking Thermostat Cover  
For Accessory U2  
G6 - Locking Thermostat Cover  
For Accessories U1 & U3  
  
L2-1 - 115/230V Single Phase  
Disconnect Switch - Non Fused  
L2-2 - 208/230V 3 Phase  
Disconnect Switch - Non Fused  
L2-3 - 460/575V 3 Phase  
Disconnect Switch - Non Fused  
  
Q6H - Vertical Louvers  
  
U1 - Line Voltage Stat "Off/Auto Switch"  
U2 - Line Voltage Stat "Auto/Off/Fan Switch, SPST"  
U3-STD - Line Voltage Stat  
"Auto/Off/Fan Switch - SPDT"  
U3-EXP - Line Voltage Stat  
"Auto/Off" - Explosion Proof  
U4 - Celsius Line Voltage Thermostat  
U5 - Strap on Hot Water Control  
U6 - Steam Pressure Control  
(Open on rise in pressure)  
U7 - Steam Pressure Control  
(Close on rise in pressure)  
U8 - 5.0 Amp Speed Control Switch  
(Capacities [CA] 108A-136A and 18-108 Only)  
U9 - Manual Starters - 1 Phase  
U0 - Manual Starters - 3 Phase

# Vertical Hydronic Unit Heaters Model Number Description

Digit	V	X	X	X	—	1	2	3	4	5	6	7	8	9	†
Item	Prefix					UT	CT		CA	SV	MT	AC			

(Internal use Only)

## 1, 2 - Unit Type [UT]

V5 - Vertical

## 3 - Coil Type [CT]

B - Standard

## 4, 5, 6 - Capacity [CA]\*

040 - 40,000 BTU/HR	237 - 237,000 BTU/HR
062 - 62,000 BTU/HR	285 - 285,000 BTU/HR
077 - 77,000 BTU/HR	317 - 317,000 BTU/HR
104 - 104,000 BTU/HR	367 - 367,000 BTU/HR
125 - 125,000 BTU/HR	495 - 495,000 BTU/HR
144 - 144,000 BTU/HR	585 - 585,000 BTU/HR
164 - 164,000 BTU/HR	700 - 700,000 BTU/HR
200 - 200,000 BTU/HR	

\*Based on 2 psi steam

## 7 - Supply Voltage [SV]

1 - 115/1/60      6 - 460/3/60  
4 - 208/3/60      7 - 575/3/60  
5 - 230/3/60      Z - Other

## 8 - Motor Type [MT]

1 - Standard  
2 - Explosion Proof

## 9 - Accessories [AS]

All Field Installed Accessories are to be entered as a separate line item using the catalog number which utilizes "AS" as a prefix. i.e: G6 becomes AS-G6.

### FACTORY INSTALLED

M6 - OSHA Fan Guard

V1 - Phenolic Coating (Air Dried)  
V2 - Phenolic Coating (Baked)  
V7 - Phenolic Coating - Louver Cone Diffuser\*\*  
\*\*Will match phenolic type selected for unit (Air Dried or Baked).

### FIELD INSTALLED (AS-\_\_\_\_)

G0 - Locking Thermostat Cover  
For Accessory W2  
G6 - Locking Thermostat Cover  
For Accessory W1  
  
L2-1 - 115/230V Single Phase  
Disconnect Switch - Non Fused  
L2-2 - 208/230V 3 Phase  
Disconnect Switch - Non Fused  
L2-3 - 460/575V 3 Phase  
Disconnect Switch - Non Fused  
  
Q8 - Louver Cone Diffuser  
  
U3-EXP - Line Voltage Stat  
"Auto/Off" - Explosion Proof  
U4 - Celsius Line Voltage Thermostat  
U5 - Strap on Hot Water Control  
U6 - Steam Pressure Control  
(Open on rise in pressure)  
U7 - Steam Pressure Control  
(Close on rise in pressure)  
U8 - 5.0 Amp Speed Control Switch  
(Capacities [CA] 040-104 Only)  
U9 - Manual Starters - 1 Phase  
U0 - Manual Starters - 3 Phase  
  
W1 - T6169C Line Voltage Thermostat w/Subbase  
(Light Duty)  
W2 - T4051A Line Voltage Thermostat  
(Heavy Duty)  
W4 - Q651A1009 Stat Subbase Only  
(Used with T4051A1003 for "Off/Auto Switch")



260 NORTH ELM ST. WESTFIELD, MA 01085  
(413) 564-5540 • FAX: (413) 562-5311  
www.sterlinghvac.com

